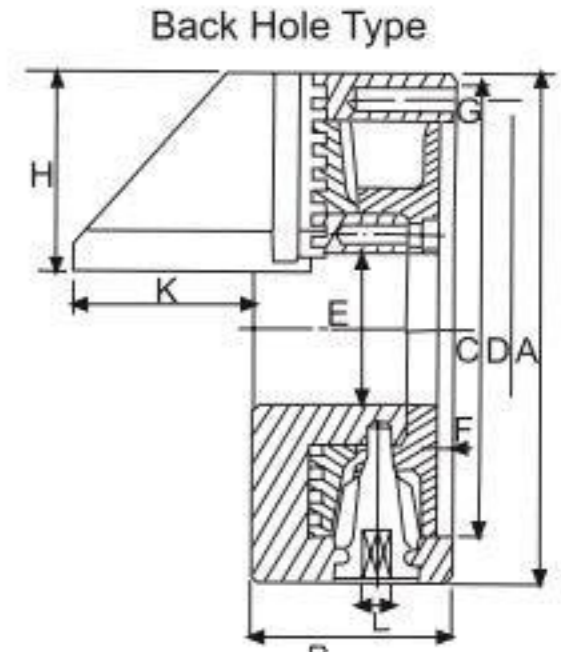
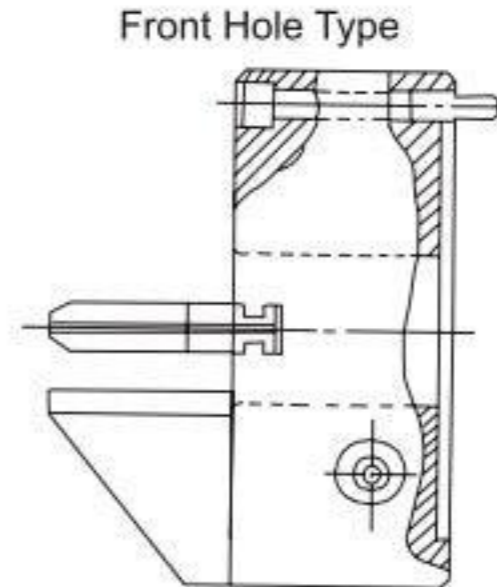
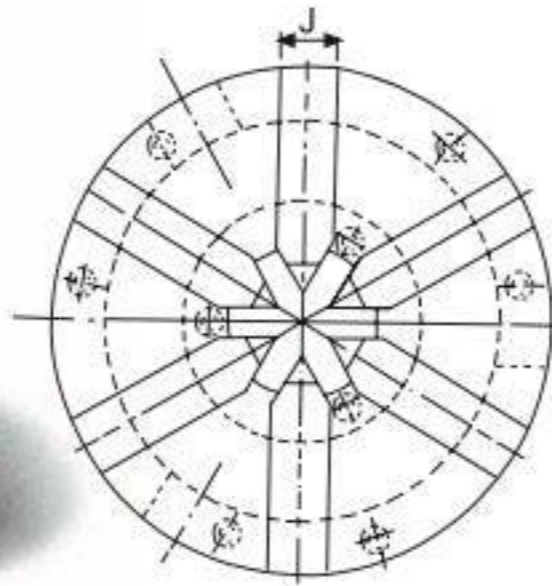




6-Jaw Awl Type Chucks



SPECIFICATIONS

Unit:mm

ORDER NO.	A	B	C	D	E	F	G	H	J	K	L	Gross Weight (kgs)	Max. Speed (r.p.m.)	Max. Gripping Diameter	CODE NO.
														O.D. Clamping	
VAS-4	112	58	80	95	32	4.5	3-M8	45	14	46	8	4.2	1200	Ø2-32	5005-011
VAS-6	167	65	130	147	60	5	3-M10	66	19	43	10	9.2	1200	Ø3-60	5005-012