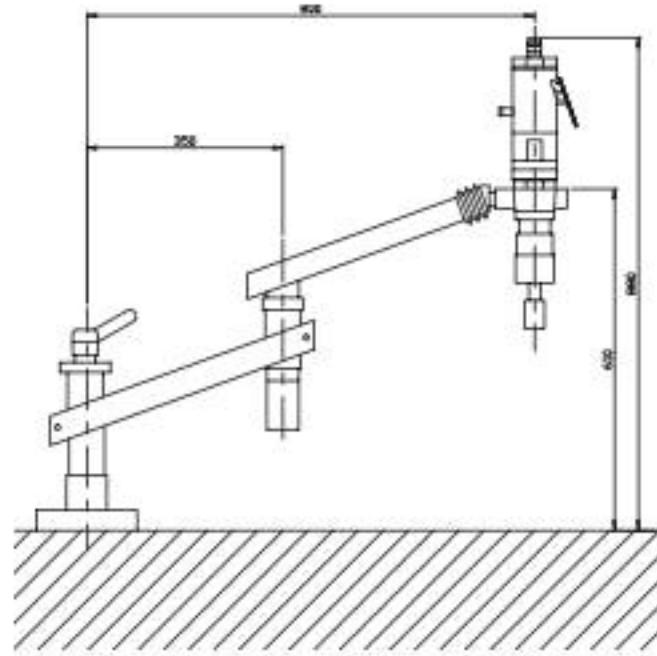


Mini Type Arm Type Air Tapping Unit

HIGH TORQUE HIGH EFFICENCY EASY OPERATION



ACCESSORIES

- Air tapping spindle
- Parallel arm & Air combination
- Table mounting column
- Choose any six safety clutch tapping adapters
- Radial jib
- Air pressure: 6~8 kgs/cm²
- VAT-08/12 series require: 5HP compressor
- VAT-16/20 series require: 10HP compressor

※ GUARANTEED FOR 3 MONTHS.

※ MUST INSTALL ON A STABLE / HARD SURFACE FOR PARALLEL WORK.

※ Base not included

ORDER NO.	VAT-708	VAT-712	VAT-716	VAT-720	VAT-722	VAT-724
For Tap	M3~M8	M5~M12	M8~M16	M10~M20	M12~M22	M14~M24
	TC-312	TC-312	TC-820	TC-820	TC-820	TC-820
Speed (rpm)	630/700	350/400	250	200	200	100
Weight (kgs)	13.2	13.1	17.3	20.6	20.6	22.1
Work Range	Rmax 700mm					
CODE NO.	3404-410	3404-411	3404-412	3404-413	3404-413A	3404-413B