

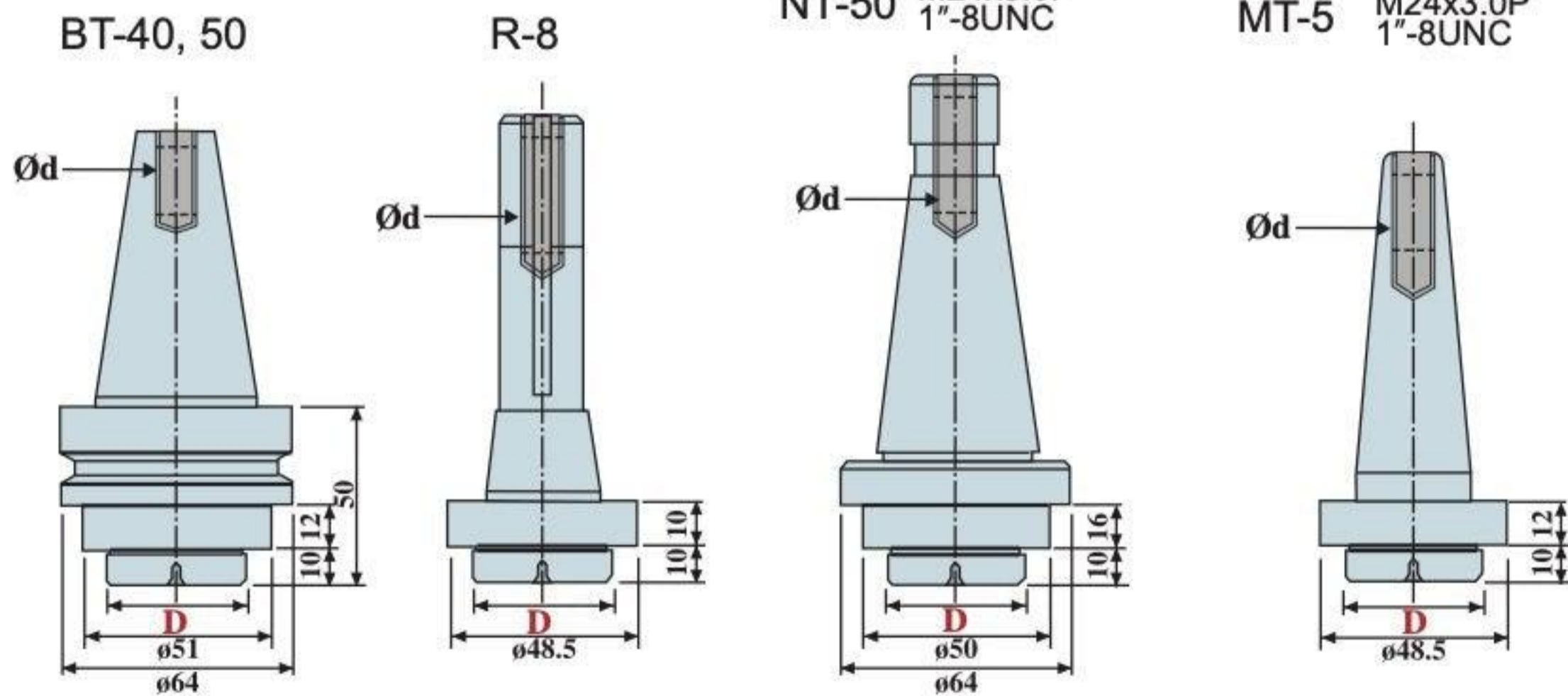
FOR VBHC-TYPE
AND BC-2, BC-3, BC-4
BORING HEAD



D: 1 1/2"-18UNC

The shanks are made for C-type boring head use. Also it can be replaced from time to time.

| | Ød |
|-------|-------------------------|
| NT-30 | M12x1.75P 1/2"-12UNC |
| NT-40 | M16x2.0P 5/8"-11UNC |
| NT-50 | M24x3.0P 1"-8UNC |
| MT-2 | M10x1.5P 3/8-16NC |
| MT-3 | M12x1.75P 3/8"-16UNC |
| MT-4 | M16x2.0P 5/8"-11UNC |
| MT-5 | M24x3.0P 1"-8UNC |



| ORDER NO. | VBC-R8 | VBC-NT30 | VBC-NT40 | VBC-MT2 | VBC-MT3 | VBC-MT4 | VBC-MT5 |
|-------------|----------|----------|----------|----------|----------|----------|----------|
| WEIGHT (KG) | 0.4 | 0.7 | 1.3 | 0.39 | 0.6 | 0.9 | 1.6 |
| CODE NO. | 3401-210 | 3401-211 | 340-212 | 3401-209 | 3401-213 | 3401-214 | 3401-215 |

| ORDER NO. | VBC-BT40 | VBC-BT50 | VBC-C20 | VBC-SK40 | VBC-BT30 | VBC-SK50 |
|-------------|----------|----------|----------|----------|----------|----------|
| WEIGHT (KG) | 1.4 | 3.97 | 0.4 | 1.28 | 1.1 | 1.3 |
| CODE NO. | 3401-216 | 3401-217 | 3401-219 | 3401-222 | 3401-223 | 3401-224 |