

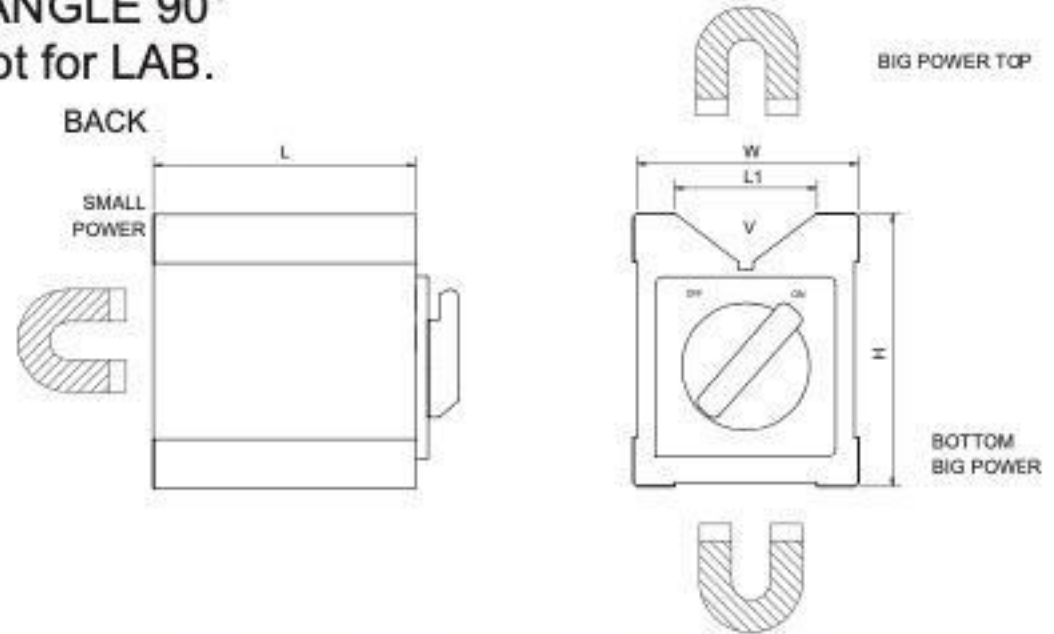


Magnetic V Block

1 PCS



- For round / square workpiece
- For checking on surface plate during the production.
- For measuring
- V ANGLE 90°
- ※ Not for LAB.



ORDER NO.	Magnetic Power(pull)	V	Dimension				Wt. kgs	CODE NO.
			H	W	L	L1		
VCP-26	50kgf	ø8~ø50	73 2.87"	60 2.13"	70 2.76"	37 1.5"	1.8	2015-510
VCP-27	70kgf	ø8~ø50	73 2.87"	60 2.36"	125 4.29"	38 1.5"	3.3	2015-511