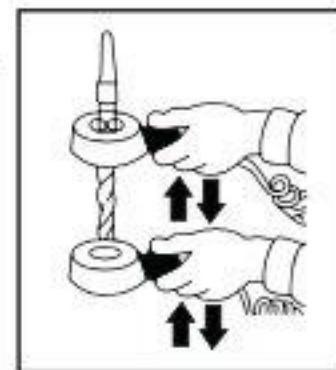
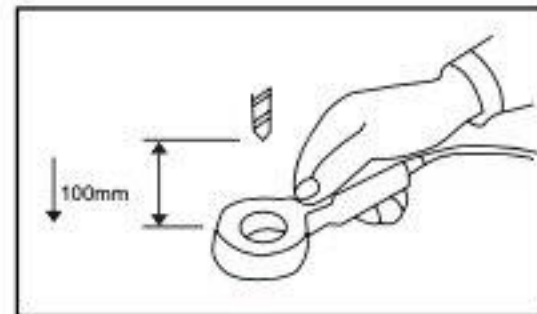
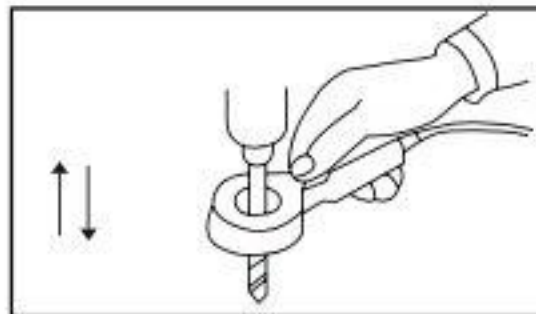
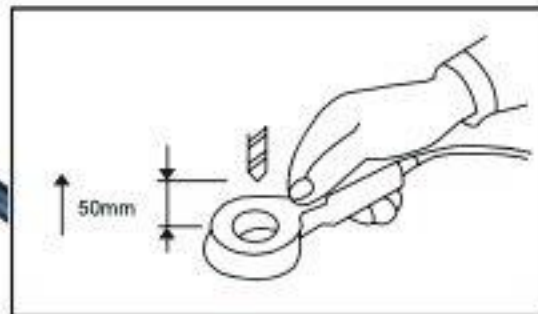


Demagnetizer



- Suit for drill, end mill, hard ware, cutting tool...etc.
- Handy type, it can also use the cutting tool.
- ※ Guaranteed for 3 months.



ORDER NO.	INPUT VOLTAGE	CURRENT	POWER	DUTY CYCLE	HOLE CAPACITY	WEIGHT KGS	CODE NO.
VDM-40	AC110V/220V	0.5A	80W	20%	Ø40MM	1.3	2019-030