



# Magnetic Lifter



## CAM TYPE

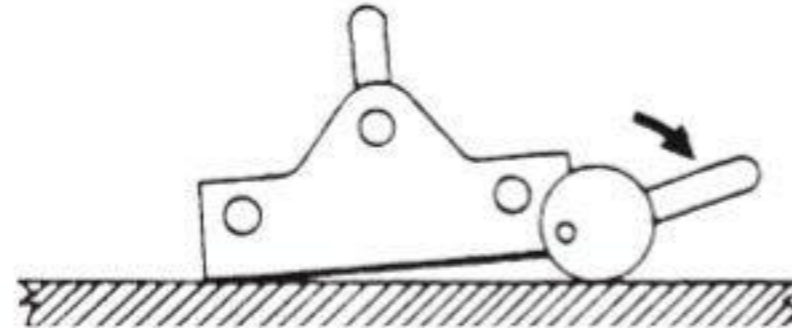
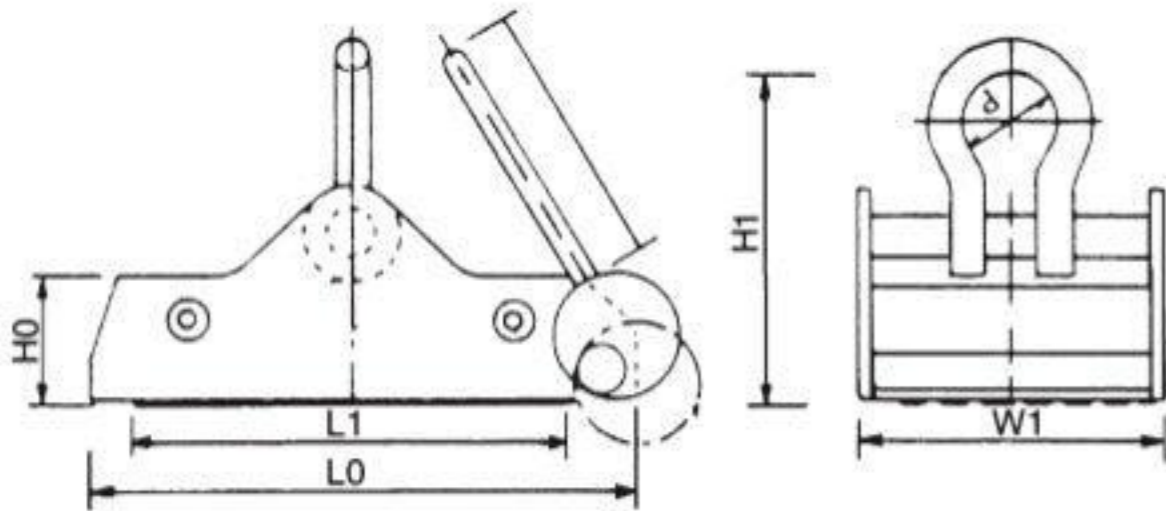
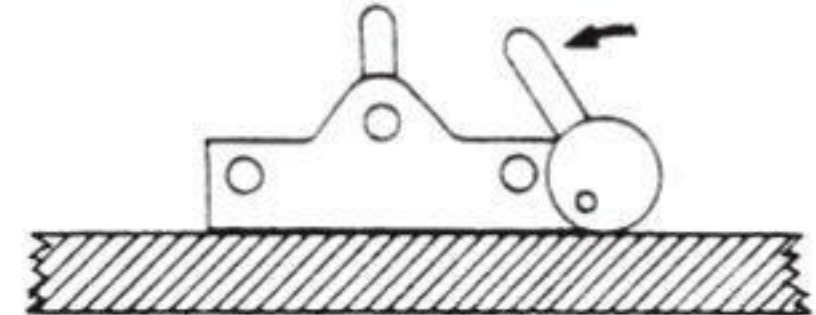
### FEATURES

- Normal operation is not influenced on power off or system breakdown, as there is permanent magnet.
- Cam mechanism, easy operation.
- Ground surface of workpiece may be attracted to be scrap occasionally, please be careful.



### LOADING

- Take the magnetic table on the workpiece, and move it at the vertical position.



### UNLOADING

- Move the level at the horizontal position, the workpiece will be separated.

- Never operate over human's head.

ORDER NO.	CAPACITY	W1	L1	L0	H0	H1	d	l	NET WEIGHT (KGS)	CODE NO.
VGP-100	1000kg	204	298	366	65	125	50	135	25.8	2018-040
VGP-200	2000kg	330	380	445		130			46.8	2018-041