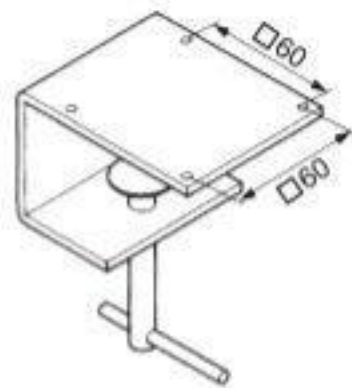
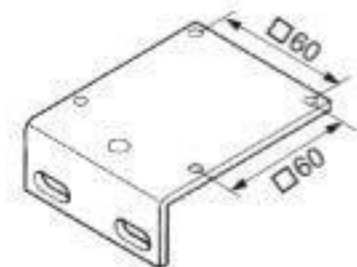
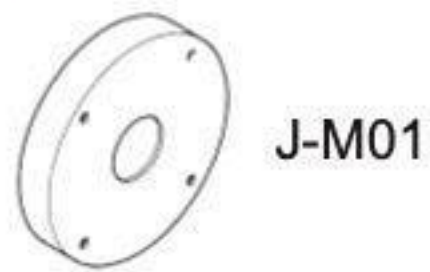




# Quartz Halogen Lamp Beam



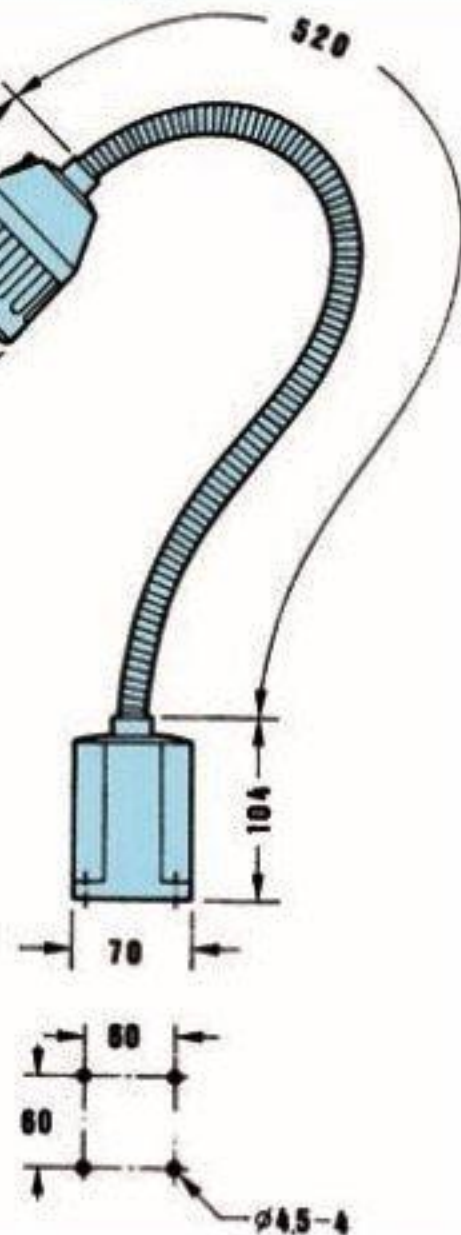
## OPTIONAL



J-L02

J-C02

- MAGNETIC SEAT
- MOUNTING CLAMP J-C02
- MOUNTING ANGLE PLATE J-L02



## UNIVERSAL TYPE

- Gooseneck arm for smooth lighting angle adjustment.
- Lighting reaches any direction.

## VHL-20FT SERIES

- Engineering plastic shade and base provides complete insulation for maximum operator safety.
- Power source available: Any voltage on customer's request. Such as 110V, 220V, 240V, 380V, 415V.
- Transformer built in base.
- Accept 20, 35 and 50 watt bulb. Included with 20 watt bulb, 35 and 50 watt bulb on request.
- Furnished with 1.8 meter (70") cord.
- Available with magnetic base. (optional)
- Engineering mounting angle plate. (optional)
- Double shades designed permits fast heat dissipation.

## VHL-20F SERIES

- The quartz halogen lamp has great light output, soft illuminating without irritating to the eyes.
- Low voltage 12 or 24 volt operation without danger of electric shock.
- The articulated arm provides vibration resistance performance.
- Use top quality electric components.
- Accept 20, 35, 50 watt bulb. Included with 20 watt bulb, 35 and 50 watt bulb on request.
- Complete with 1.8 meters (70") cord.
- Economical model, jet quality constructed.
- Ideally suited to machine tools and machinery without big working area.
- Engineering plastic shade and base provides complete insulation.

ORDER NO.	WEIGHT(kg)	CODE NO.
VHL-20FT	1.6	1025-020
VHL-20F	1.1	1025-021
J-M01	0.6	1025-006
J-L02	0.3	1025-004
J-C02	0.5	1025-005

※ Please confirm voltage & phase when order.