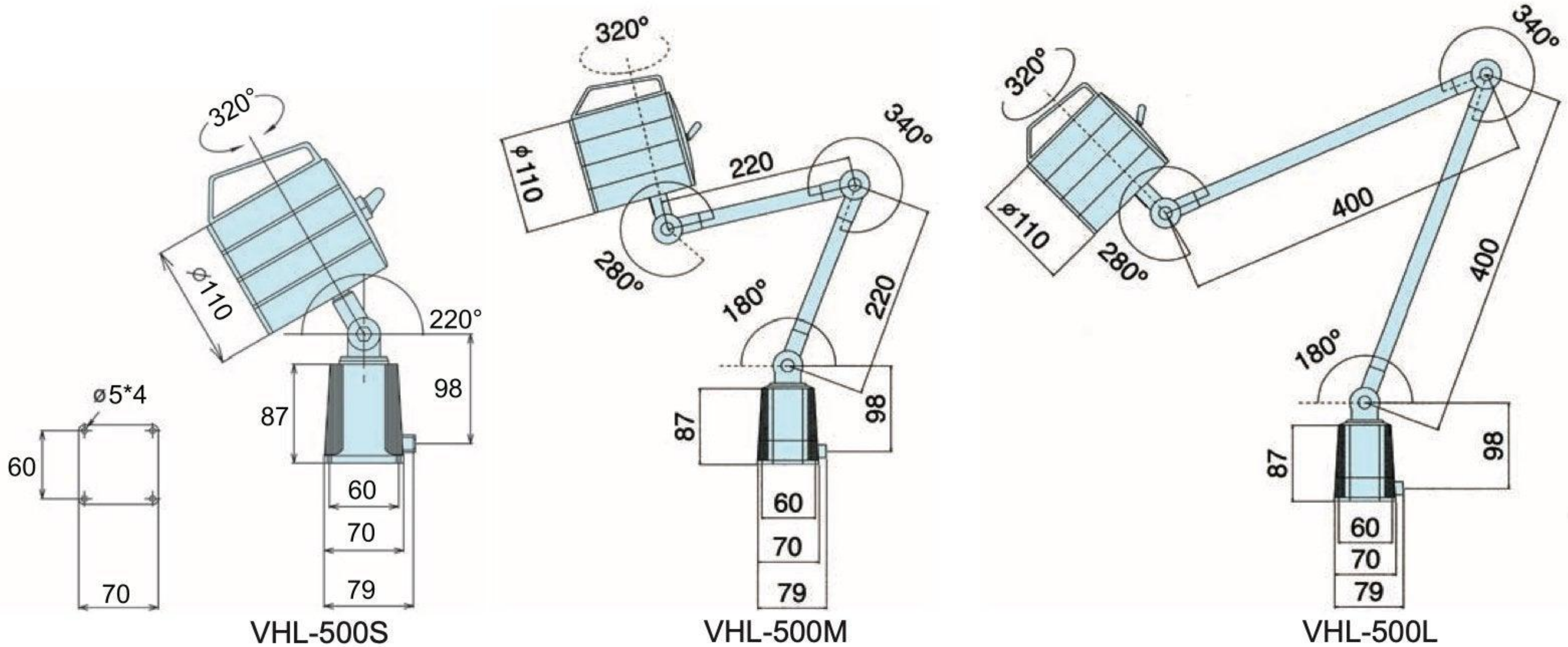


# Water-Proof Halogen Lighting Beam VERTEX®



LAMP BEAM



### VHL-500L

- Performance & features of these series: same as. The main difference is that VHL-500L can be installed with a shorter arm, and connected with AC current below 240V.

※ Please indicate the required voltage when placing the orders to us.

- Specifications of the bulb: 12V/50W

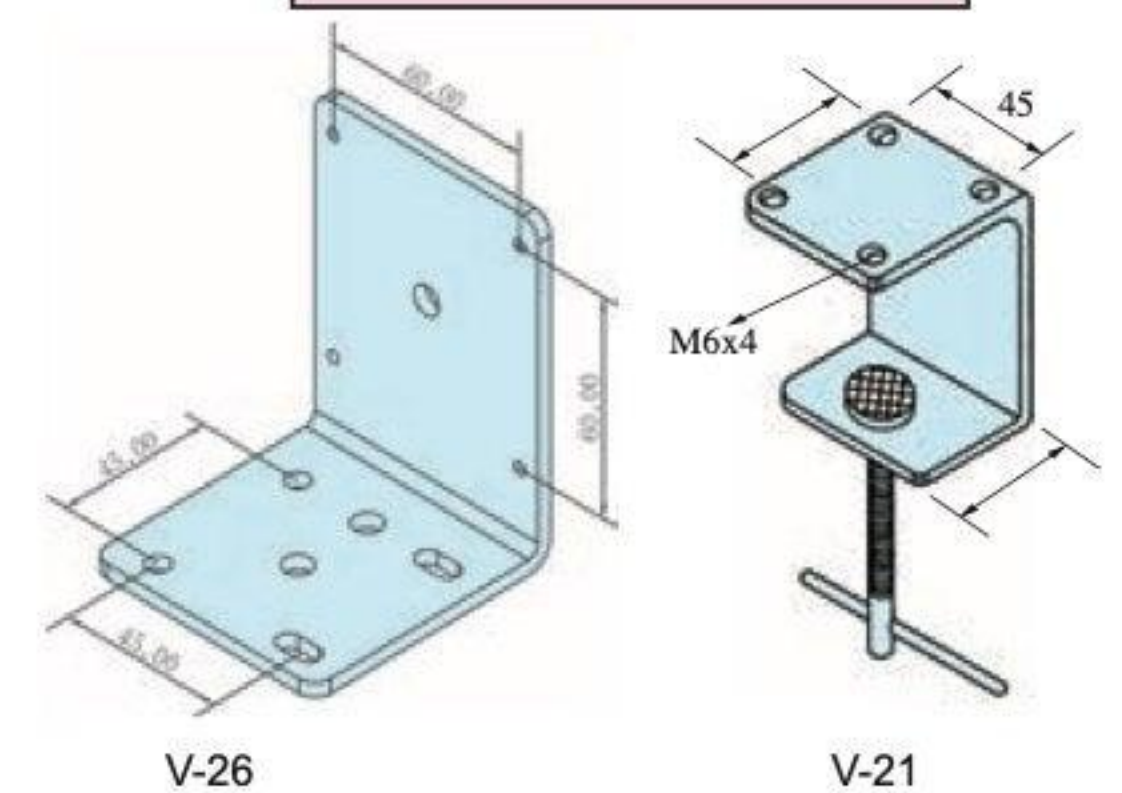
### VHL-500M

- Same specifications as VHL-500L, but with shorter flexible arm at 220x220mm.

### VHL-500S

- Specially designed to fit particular locations and spaces. The flexible arm is very short.

### ● OPTIONAL ●



ORDER NO.	VOLTAGE	BULB	ARM LENGTH L x l	OPTIONAL ACCESSORIES	WEIGHT (N.W.)	CODE NO.	ORDER NO.	WEIGHT (kg)	CODE NO.
VHL-500L	110V - 220V	12V 50W - 24V 50W	400x400	V-26	4	1025-103	V-21	0.48	1025-107
VHL-500M	110V - 220V	12V 50W - 24V 50W	200x220	V-26	3.8	1025-104	V-26	0.19	1025-108
VHL-500S	110V - 220V	12V 50W - 24V 50W		V-26	2.7	1025-105			