

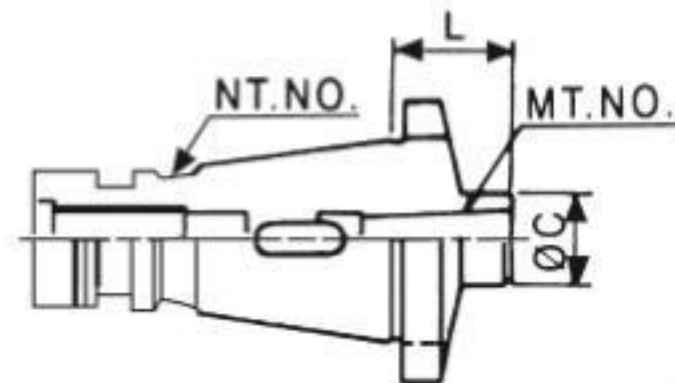
# Morse Taper Adapter



NT-30, 40, 50, R8, MT3, 4

DIN 2080/ISO SHANK

MORSE TAPER ADAPTER  
WITH STRAIGHT SHANK



## STANDARD TYPE

ORDER NO.	TAPER	TYPE	C	L	WEIGHT (kgs)	CODE NO.
VI-102	NT30	MT2	32	50	0.6	3211-031
VI-103		MT3	35	65	0.7	3211-032
VI-104	NT40	MT1	25	30	0.9	3211-033
VI-105		MT2	32	30	1	3211-034
VI-106		MT3	40	70	1.2	3211-035
VI-107		MT4	50	90	1.5	3211-036
VI-108	NT50	MT2	32	30	2.8	3211-037
VI-109		MT3	40	30	2.7	3211-038
VI-110		MT4	50	45	3.2	3211-039
VI-111		MT5	65	105	3.7	3211-040