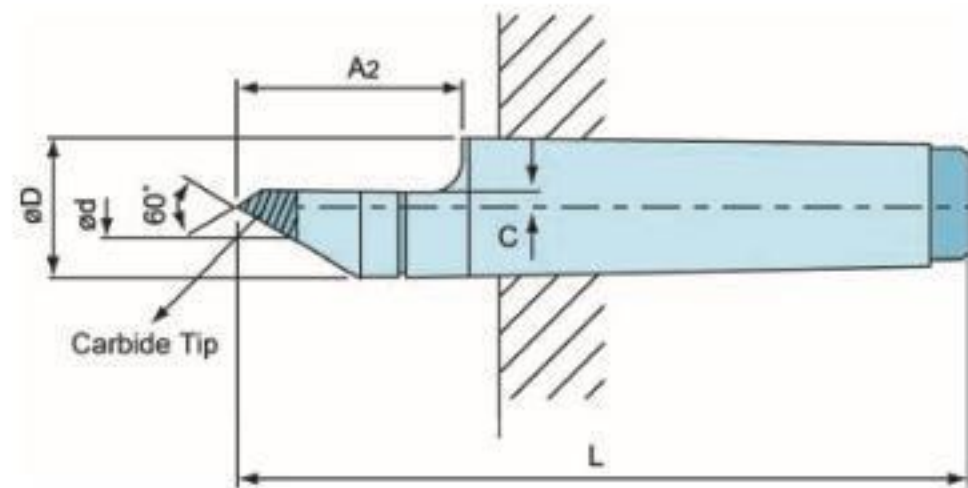


- Half diameter
- High precision
- Carbide tip
- DIN 806

**NEW**



※Suggested tailstock pressure under  $6 \text{ kg/cm}^2$

| ORDER NO. | SIZE | $A_2$ | $C$ | $\varnothing D$ | $\varnothing d$ | $L$ | Weight (kgs) | CODE NO  |
|-----------|------|-------|-----|-----------------|-----------------|-----|--------------|----------|
| VLC-117   | MT3  | 41    | 3   | 24              | 9               | 124 | 0.33         | 5001-086 |
| VLC-118   | MT4  | 54    | 4   | 31.3            | 11.5            | 158 | 0.72         | 5001-087 |
| VLC-119   | MT5  | 69    | 4.5 | 44.5            | 13              | 198 | 1.73         | 5001-088 |