

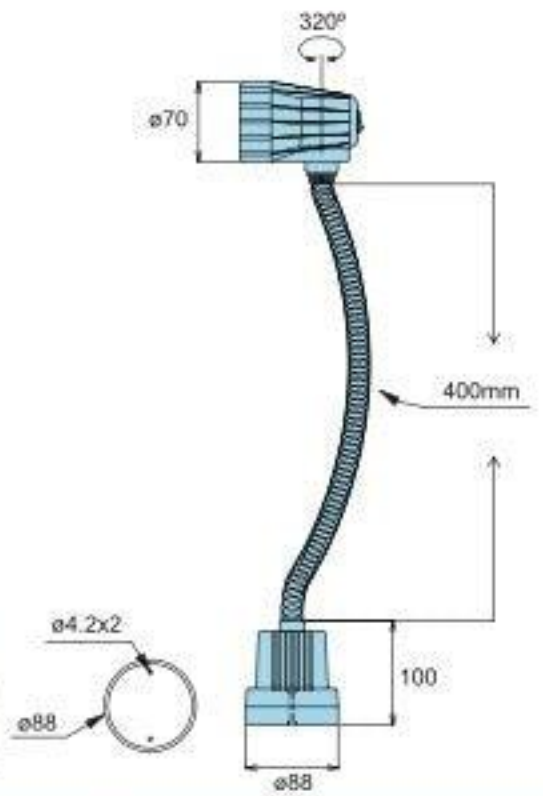


Concentrate LED Lamp

NEW



WITH TRANSFORMER & MAGNETIC BASE



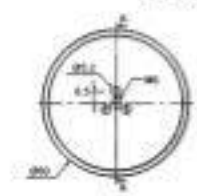
Features

- Energy saving
- LED light long service life
- 1 year guarantee
- Luminous flux: 250~330 lumen
- No high heat produce
- Dust proof
- Flexible & folding arm
- Built-in transformer
- Suit for small CNC, engraving, sawing machine, drill press, lathe, and working table
- ※ Please confirm voltage & phase when order.

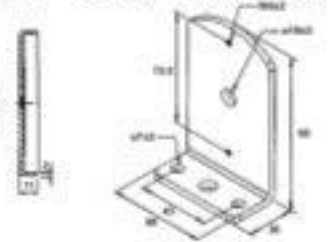
●OPTIONAL●



- LED6W
Led light bulb
250~330 lumen



V-23



V-27

ORDER NO.	VOLTAGE	BULB	ARM L x l	WEIGHT N.W.(KGS)	CODE NO.
VLED-20L	INPUT: 220V OUTPUT: AC / DC 12V	12V 6W	400 mm	1.2	1025-120
VLED-20L	INPUT: 110V OUTPUT: AC / DC 12V	12V 6W	400 mm	1.2	1025-121

ORDER NO.	WEIGHT (kg)	CODE NO.
V-23	0.27	1025-117
V-27	0.21	1025-118
LED6W	0.14	1025-140