



Water Proof LED Lamp

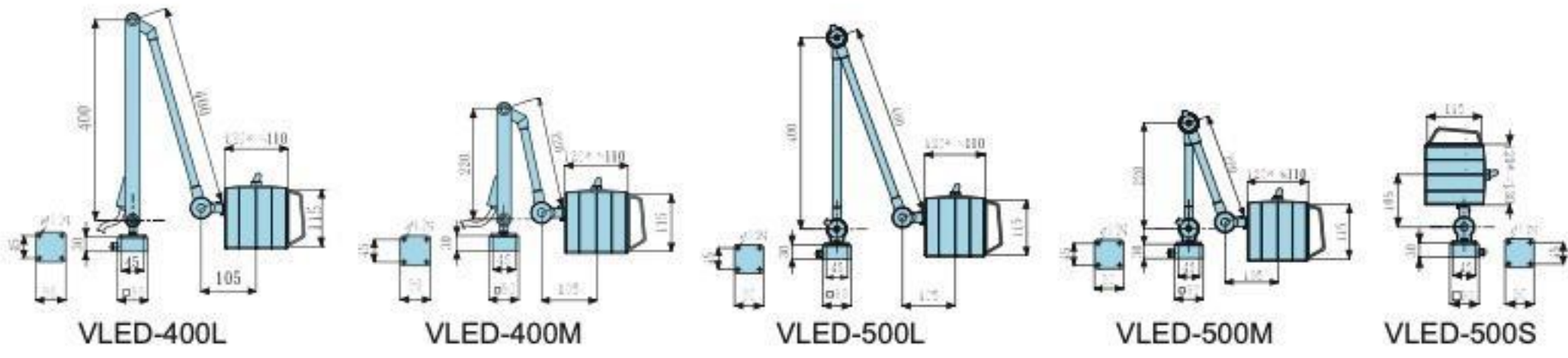


NEW

ENERGY SAVING

UNIVERSAL TYPE

LED TYPE



Features

- Energy saving
- Luminous flux: 780~800 lumen
- LED light long service life
- 1 year guarantee
- 1.8 meter coil
- White light
- No high heat produce
- Dust/water proof
- Specify voltage when ordering
- For any working place, stable quality
- Suit for CNC, engraving, drill press machine, lathe, wood and mold industry

※ Please confirm voltage & phase when order.

ORDER NO.	VOLTAGE	BULB	ARM		WEIGHT N.W.(KGS)	CODE NO.
			L x l	TUBE STYLE		
VLED-400L	110V / 220V	9W	400 X 400	SQUARE	2.12	1025-130
VLED-400M	110V / 220V	9W	220 X 220	SQUARE	1.96	1025-131
VLED-500S	110V / 220V	9W	JOINT	ROUND	1.6	1025-132
VLED-500L	110V / 220V	9W	400 X 400	ROUND	2.42	1025-136
VLED-500M	110V / 220V	9W	220 X 220	ROUND	2.3	1025-137