

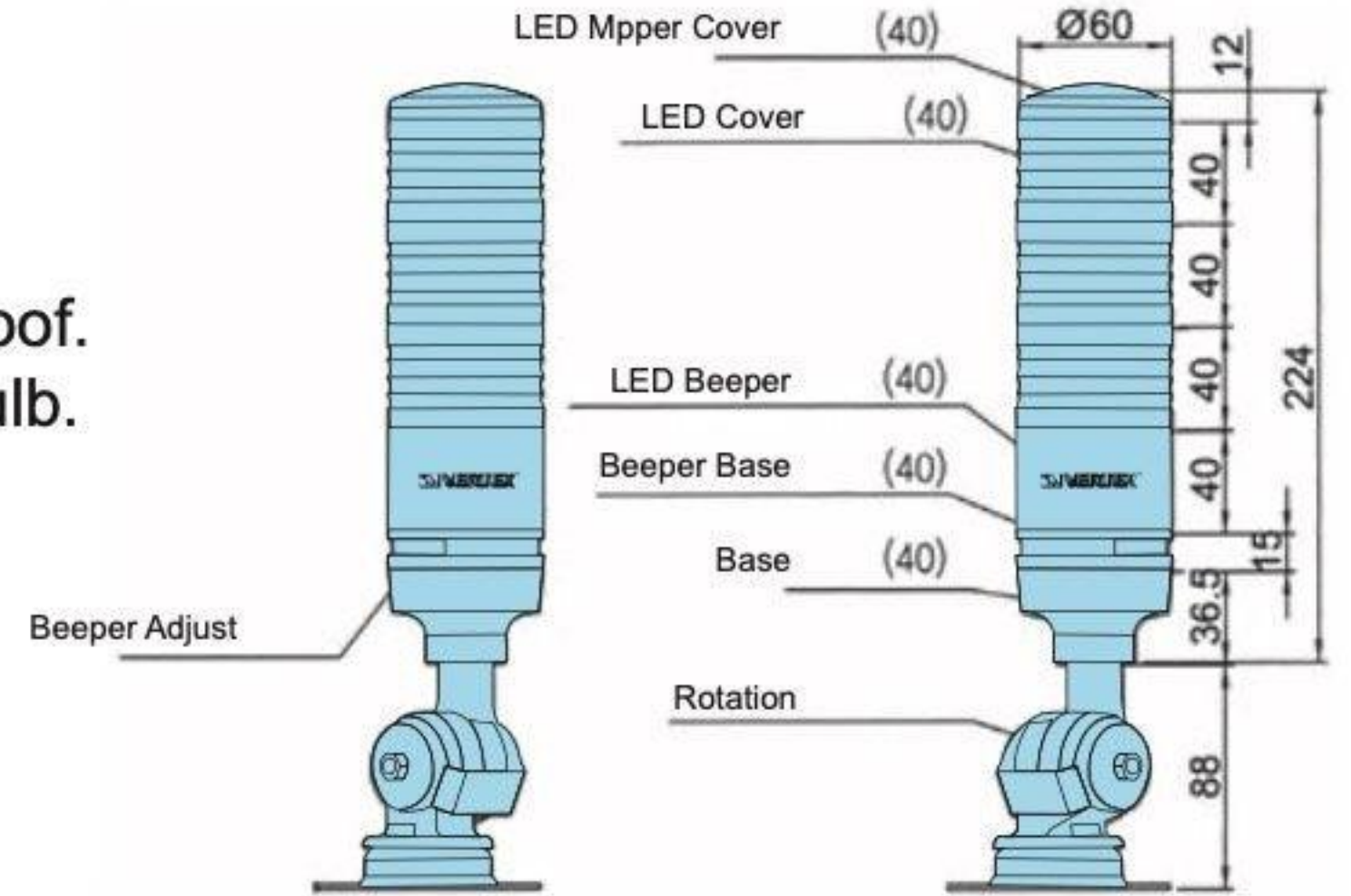
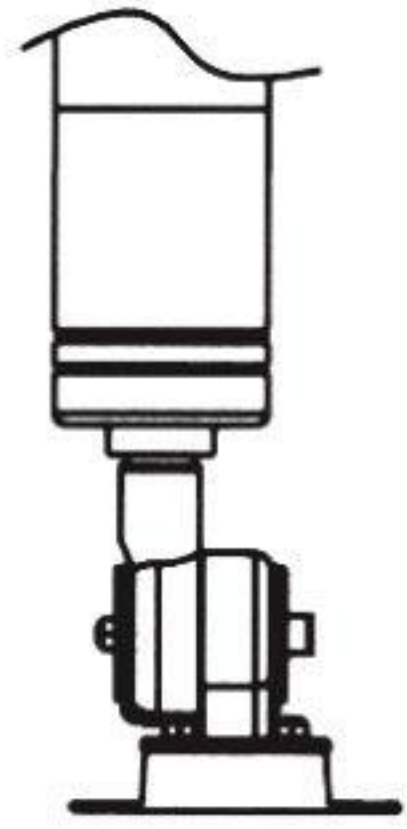


Water - Proof Bright LED Signal Light

NEW



- Signal light with feature of multi-function, water proof.
- Lamp of signal light, adopted high efficient LED bulb.
- ※ Please confirm voltage & phase when order.



- Suit for machine tools & etc, show singal of machine process
- Good for automatic process line multi angle
- Double layer lamp shade high illumination LED water & dust proof-steam 360° lighting without shade

ORDER NO.	Bulb	Enclosure IP	weight (kgs)	CODE NO.
VLED-SL	24V	IP54	0.77	1025-026