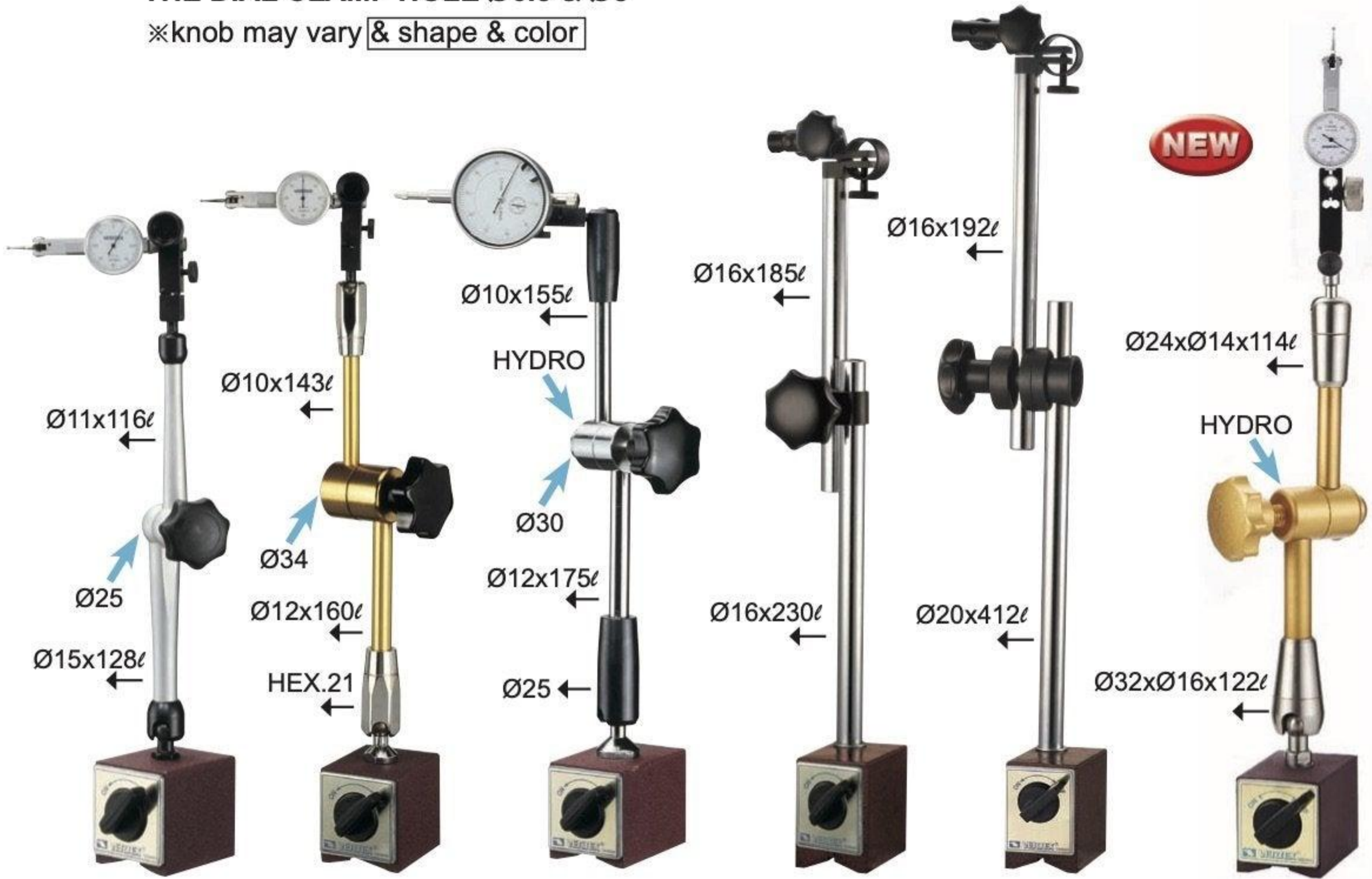




UNIVERSAL ARM TYPE THE DIAL CLAMP HOLE Ø6.5 & Ø8

WITHOUT DIAL INDICATOR

※knob may vary & shape & color



ORDER NO.
VMB-70
DELUXE UNIVERSAL
MAGNETIC BASE/
100kgs

ORDER NO.
VMB-106
MECHANICAL ARM
MAGNETIC BASE/
100kgs

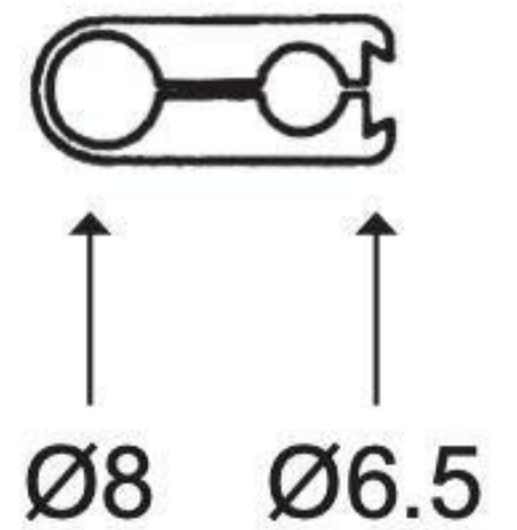
ORDER NO.
VMB-106H
HYDRAULIC ARM
MAGNETIC BASE/
100kgs

ORDER NO.
VMB-160

ORDER NO.
VMB-180

ORDER NO.
VMB-182H
HYDRAULIC ARM
MAGNETIC BASE/
100kgs

- If you would like to turn around the ARM of VMB series, don't rotate the ARM directly, because the thread in the base will be disintegrated, please loose the knob first (in the middle of ARM), then the ARM will be rotated, thanks!
After you set the position, Fix the Knob.
- Before you set the new position, you must loose the knob.
Hold at the connection between Rod & Base to prevent thread breaking.
- Hold the Mag. Base while moving & lifting



ORDER NO.	BASE SIZE LXWXH(MM)	HOLDING POWER	MAIN ROD O.D X L	SUB ROD O.D X L	WEIGHT (KGS)	CODE NO.
VMB-70	73X50X55	100KGS	Ø15X128	Ø11X116	1.7	2015-604
VMB-106	73X50X55	100KGS	Ø12X160	Ø10X143	1.9	2015-605
VMB-106H	75X50X55	100KGS	Ø12X175	Ø10X155	2.2	2015-606
VMB-160	70x46x60	100KGS	Ø16x230	Ø16x185	2.1	2015-608
VMB-180	75x60x80	100KGS	Ø20x412	Ø16x192	3.8	2015-609
VMB-182H	73x50x55	100KGS	Ø32xØ16x122	Ø24xØ14x114	1.75	2015-600