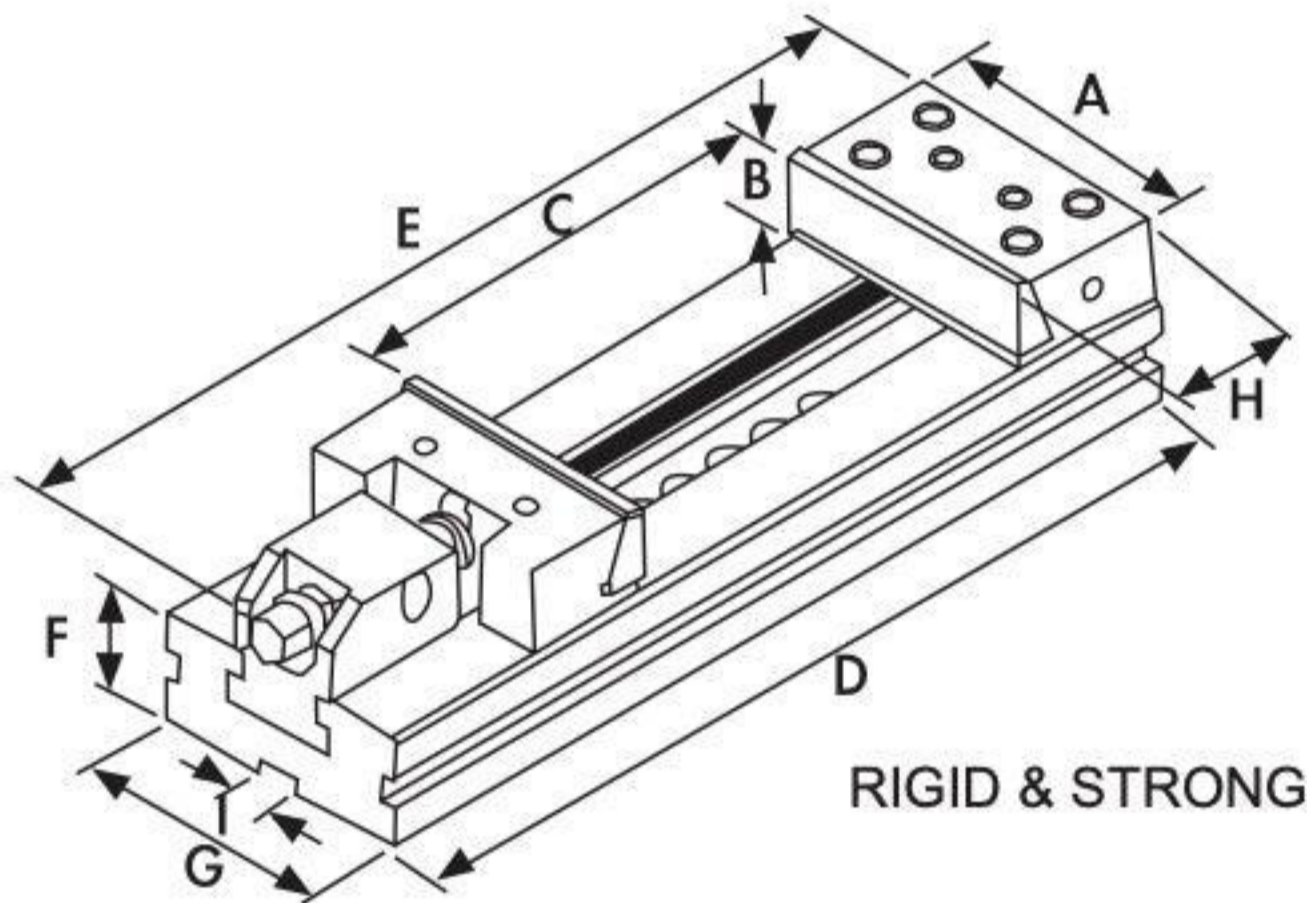




SAME HEIGHT GUARANTEE



MACHINE VISE



RIGID & STRONG

Features

- High Accuracy 0.01/100 mm
- Unlimited Clamping Range
- High Quality Alloy Steel with HRC 59
- High Clamping Pressure
- EACH ONE IS SAME AS HEIGHT.
- CAN BE USED IN MULTIPLE STYLE.
- No Length of Height Limitation
- No Jaw Lift
- Low Profile
- All Vises are Matched parallelism $\pm 0.01/100$ mm
- Optional : Swivel base



ORDER NO.	VMP -4	VMP -5	VMP -6	VMP -6B	VMP -6C	VMP -7A	VMP -7B	VMP -7C	VMP -8A	VMP -8B	VMP -8C	VMP -8D
A	100	125	150	150	150	175	175	175	200	200	200	200
B	30	40	50	50	50	60	60	60	65	65	65	65
C OPEN	100	150	200	300	400	200	300	400	200	300	400	500
D	270	345	420	520	620	455	555	655	573	595	695	795
E	325	360	530	600	700	620	620	620	718	718	718	880
F	35	40	50	50	50	58	58	58	70	70	70	70
G	75	96	125	125	125	145	145	145	170	170	170	170
H	78	78	90	89.4	89.4	97	97	97	114	114	114	113.4
I	16	16	16	16	16	16	16	16	16	16	16	16
Max. Clamp Force (kgf)	900	1300	2000	2000	2000	2000	2000	2000	2000	2000	2000	2000
KGS	9.2	16	28.5	34.8	38.1	43.7	48.3	53.5	66.3	73.2	81.3	87.2
CODE NO.	1002-190	1002-191	1002-192	1002-201	1002-202	1002-193	1002-194	1002-195	1002-196	1002-197	1002-198	1002-203