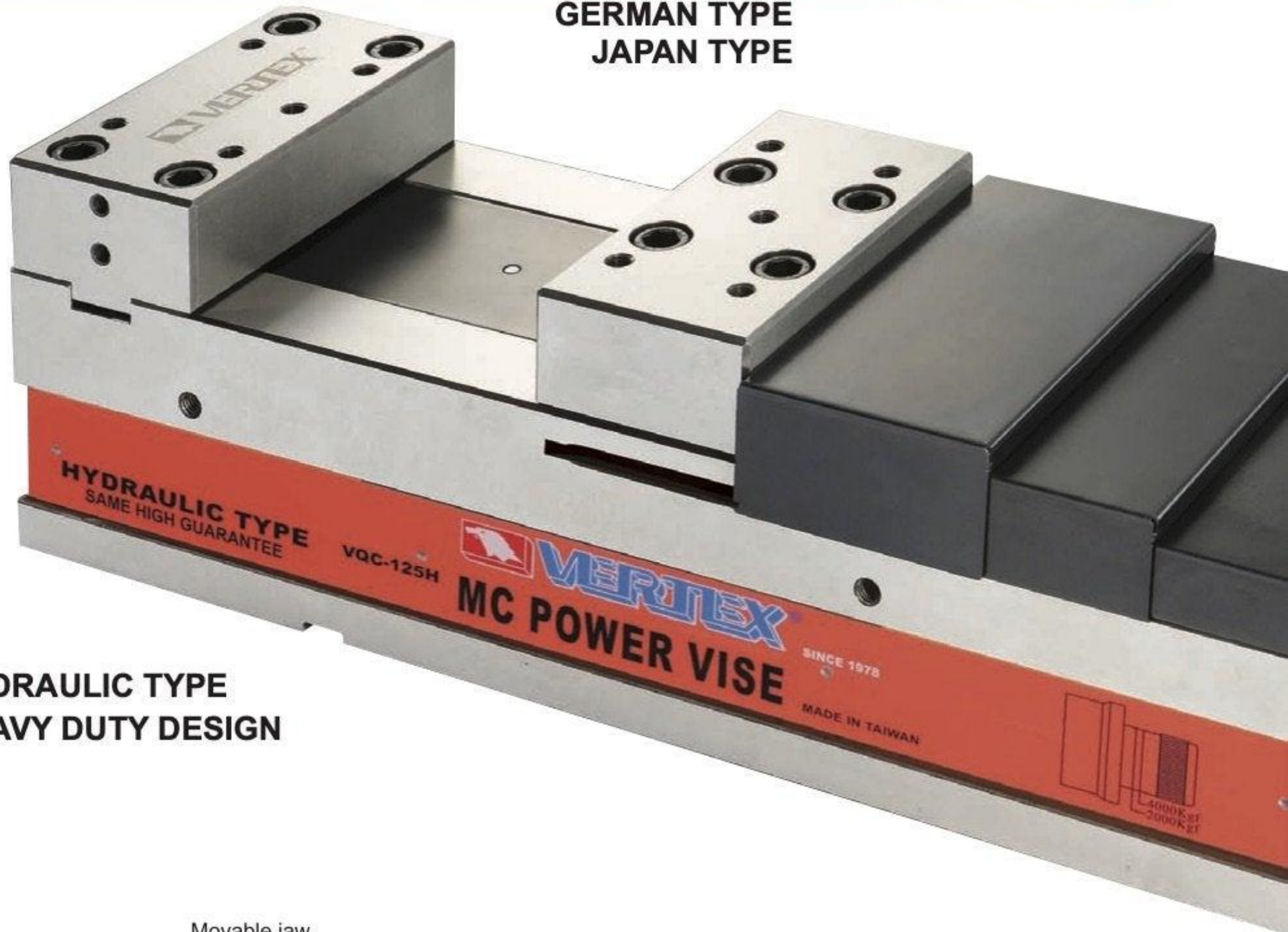
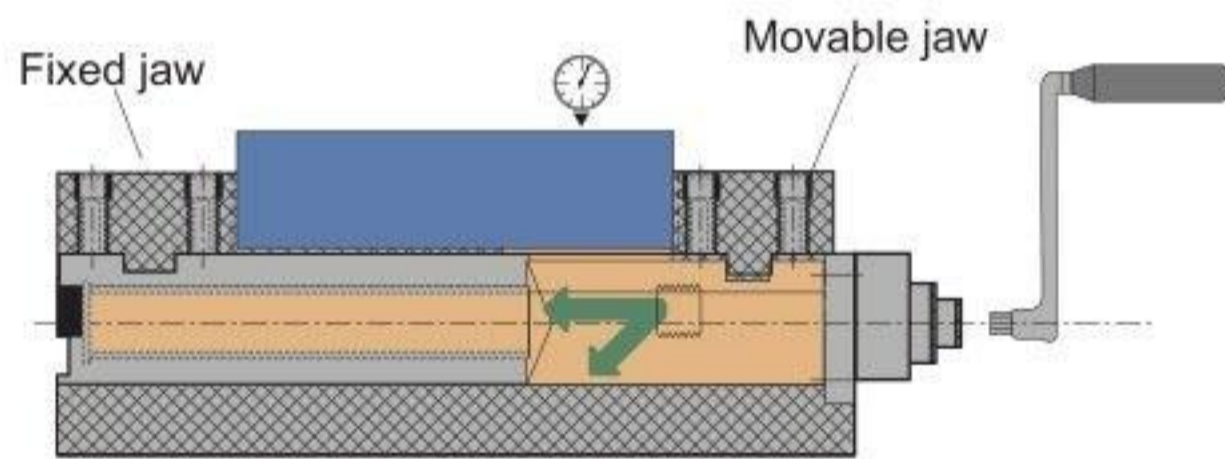


GERMAN TYPE  
JAPAN TYPE

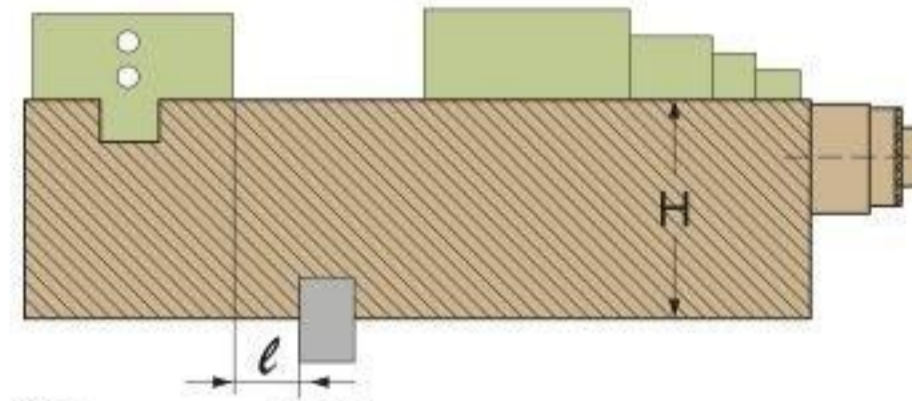
**NEW**



**HYDRAULIC TYPE  
HEAVY DUTY DESIGN**



**LOCK DOWN DESIGN**



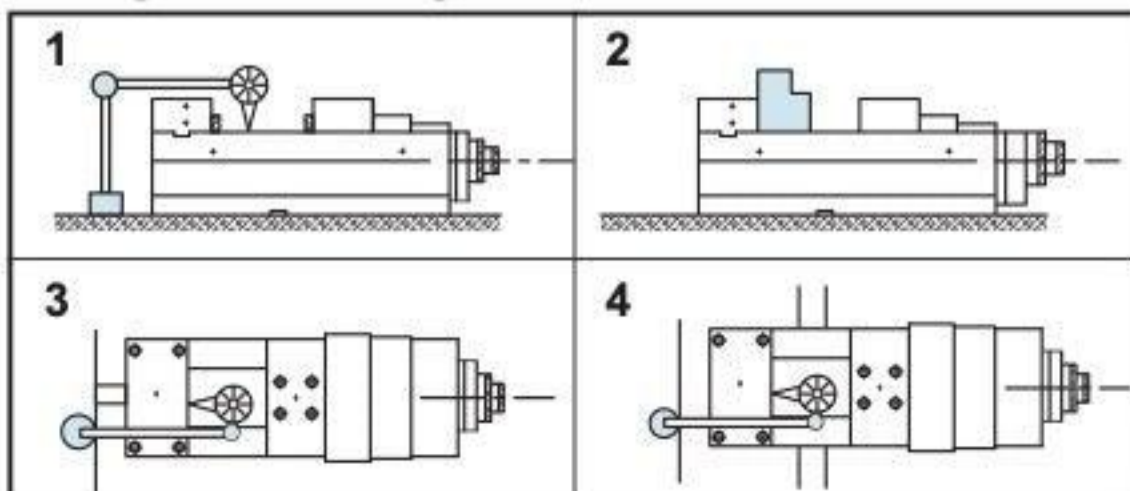
H-Accurance  $\pm 0.01\text{mm}$   
l-Accurance  $\pm 0.01\text{mm}$

**SAME HEIGHT GUARANTEE**

## Features

- Compact design. Great clamping capacity & rigid. Light & smooth operation.
- Constructed for milling, drilling, machining center, grinding and many other machine shop applications.
- Body is made of FCD60 ductile cast iron, HIGH deflection/bending resistant.
- Sliding bed ways flame hardened and ground.
- Concealed spindle for protection against chips and dirt.
- Hydro-booster system for maximum clamping pressure with minimum force.
- Quick of clamping & locking and easy of operation.
- Accuracy within 0.01/100mm.
- Hydro-booster system is guaranteed for using 2 years limited.
- The hydraulic oil number is 68#
- Hydro line - one scale indicate about 1/3 of the max. clamp force.

## AA GRADE VISE



## INSPECTION SPECIFICATION

NO.	Inspection Item	Per (100mm)	Guaranteed
1	Parallelism: table face to bottom of bed.		0.01/100mm
2	Squareness :between table face and jaw plate.		0.02/100mm
3	Squareness: keyways on bottom of table face to jaw plate.		0.02/100mm
4	Parallelism: table face of the table face block to bottom of bed.		0.02/100mm