



Horizontal Moving Quick Vise

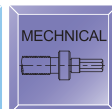
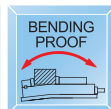
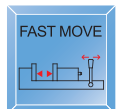
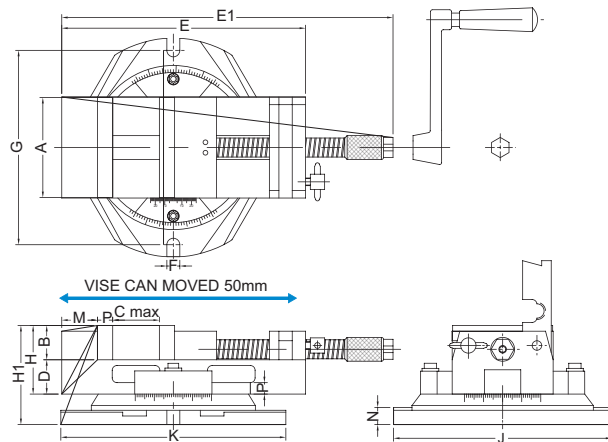
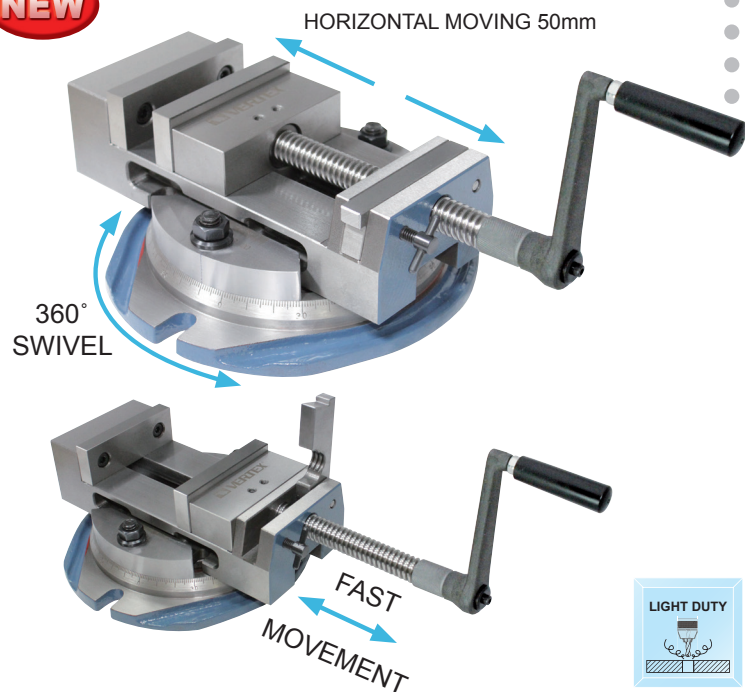


VERTEX®

2 WAY MOVING

NEW

- Special design, for milling M/C, drilling M/C.
- Easy & quick to find process position.
- For round table drilling machine. If it don't have cross table.
- 360° rotation



ORDER NO.	A	B	C max.	D	E	E1	F	G	H	H1	J	K	M	N	P	MAX.Clamp Force kgf	G.W.	CODE NO.
VQW-80	81	34	85	36	230	374	14	214	70	100	242	230	28	30	12	700	13.5	1002-245
VQW-100	105	36	104	36	256	422	16	264	72	106	303	272	37	34	16	800	15.8	1002-246
VQW-130	131	36	125	38	297	490	16	264	74	108	303	272	38	34	29	800	22.7	1002-247