

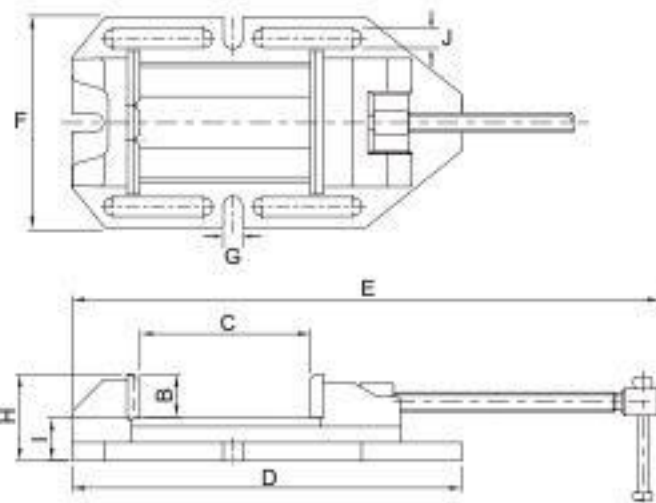


Super Open Drill Vise



NEW

EURO TYPE



- Big opened.
- Big clamping capacity.
- With prisma jaw for round workpiece.
- For drilling & milling using.



Unit:mm

ORDER NO.	A	B	C OPEN	D	E	F	G	H	I	J	V	MAX.Clamp Force kgf	G.W. (kgs)	CFT (cm)	CODE NO.
VRV-4	110	32	130	316	471	179	16	73	40	16	5-32	450	9.8	32.3 x 13.3 x 12.9	1002-320
VRV-5	135	40	160	366	552	207	16	81	40	16	6-40	650	14.0	32.3 x 13.3 x 12.9	1002-321
VRV-6	160	50	220	447	693	247	16	96	45	16	7-48	900	25.7	32.3 x 13.3 x 12.9	1002-322