

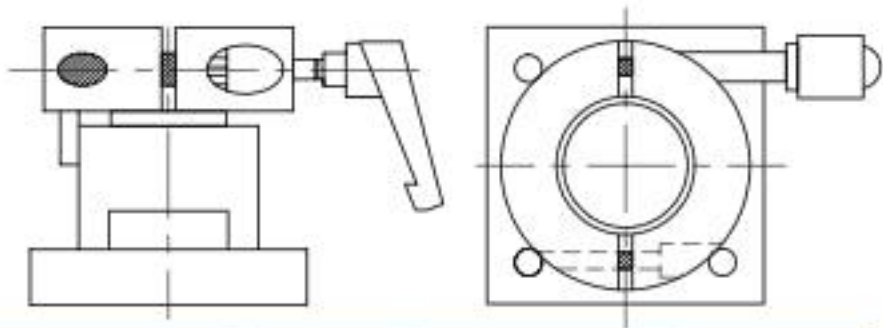


Tool Holder Locking Fixtures



HSK TYPE

NEW



ORDER NO.	STD	WEIGHT (KGS)	CODE NO.
VTL-HSK40	DIN69893 HSK	2.5	3405-046
VTL-HSK50		3.5	3405-047
VTL-HSK63		4.5	3405-048