



Round Tool Locking Device

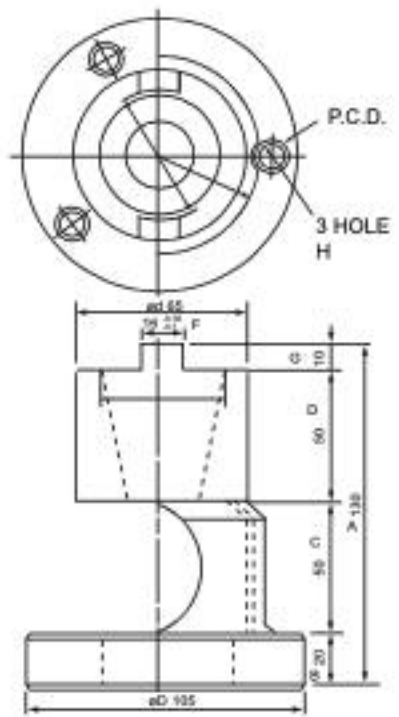
NEW



Example

Feature:

- Light weight & compact design
- Quick setup time
- For tool holder locking
- Space saving



ORDER NO.	SHANK TAPER	ØD	Ød	3HOLE P.C.D.	H	A	B	C	D	E	F	WEIGHT (kg)	CODE NO.
VTO-BT30	30	90	50	70	ø14x9xø9	108	20	48	30	10	16	1.2	3405-190
VTO-BT40	40	105	65	85	ø14x9xø9	130	20	50	50	10	16	2.2	3405-191
VTO-BT50	50	135	95	115	ø14x9xø9	188	24	82	70	12	25.4	5	3405-192