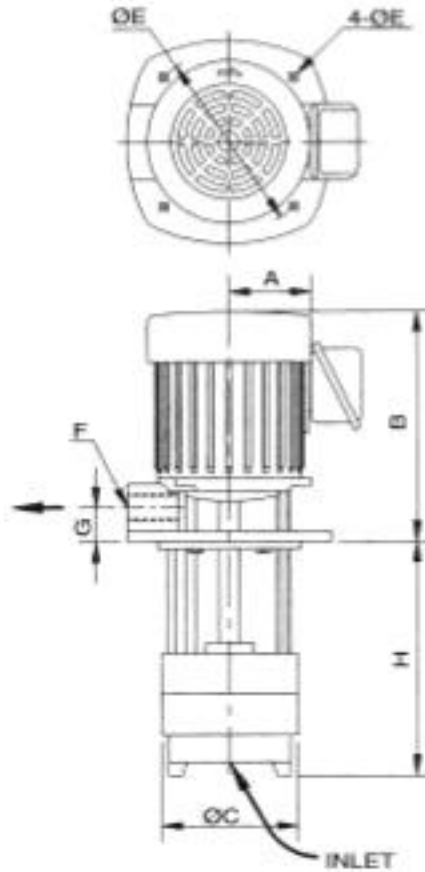


# Under Water Type Multi-stage High Pressure Coolant Pump



## Special Features

- Discharge available in either N.P.T / P.T.
  - Heavy duty bearings greased for long life and easy maintenance.
  - Multi-stages., up to 6 stages for pressure over 9kg/cm<sup>2</sup> staggered discharge ports equalize radial loads for increasing pump life.
  - Stainless steel made enclosed impeller., increasing pump efficiency and flow volumn.
  - Rigid and strong one-piece shaft.
- ※ Please confirm voltage & phase when order.

## SPECIFICATION

| ORDER NO.   | STAGE | HP    | A   | B   | C   | D | E   | F                   | G  | H   | PRESSURE<br>kg/cm <sup>2</sup> (PSI) | VOLUMETRIC DELIVERY<br>(ℓ/min) |             | DELIVERY HEAD (m) | WEIGHT (kg) | CODE NO. |
|-------------|-------|-------|-----|-----|-----|---|-----|---------------------|----|-----|--------------------------------------|--------------------------------|-------------|-------------------|-------------|----------|
|             |       |       |     |     |     |   |     |                     |    |     |                                      | EMULSION                       | COOLING OIL |                   |             |          |
| VWP-MS2-180 | 2     | 3/4   | 135 | 255 | 135 | 9 | 170 | 3/4" or 1" (option) | 28 | 180 | 3 (42)                               | 140                            | 116         | 30                | 15          | 1026-040 |
| VWP-MS2-250 |       |       |     |     |     |   |     |                     |    | 250 |                                      |                                |             |                   |             | 15.5     |
| VWP-MS3-200 | 3     | 1     | 135 | 275 | 135 | 9 | 170 | 3/4" or 1" (option) | 28 | 200 | 4.5 (64)                             | 140                            | 116         | 45                | 16          | 1026-042 |
| VWP-MS3-250 |       |       |     |     |     |   |     |                     |    | 250 |                                      |                                |             |                   |             | 17       |
| VWP-MS4-230 | 4     | 1 1/4 | 135 | 275 | 135 | 9 | 170 | 3/4" or 1" (option) | 28 | 230 | 6 (85)                               | 140                            | 116         | 60                | 18          | 1026-044 |
| VWP-MS4-180 |       |       |     |     |     |   |     |                     |    | 180 |                                      |                                |             |                   |             | 19       |
| VWP-MS5-210 | 5     | 1 1/2 | 135 | 275 | 135 | 9 | 170 | 3/4" or 1" (option) | 28 | 210 | 7.5 (106)                            | 140                            | 116         | 75                | 20          | 1026-046 |