

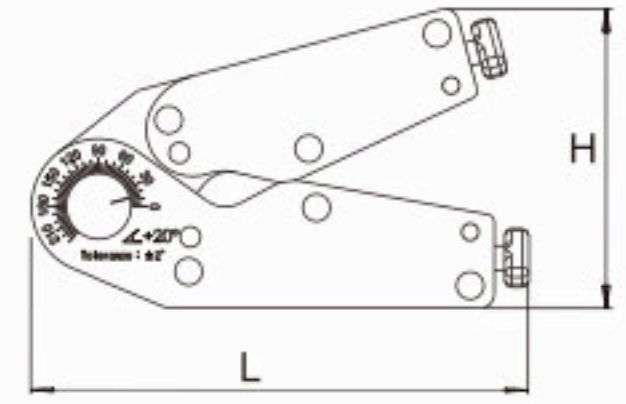
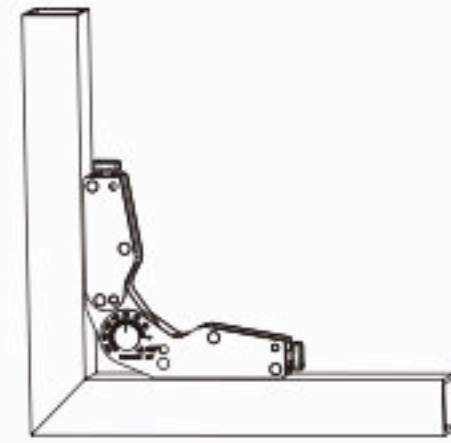
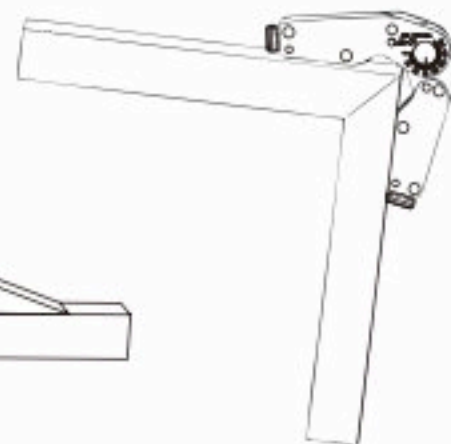
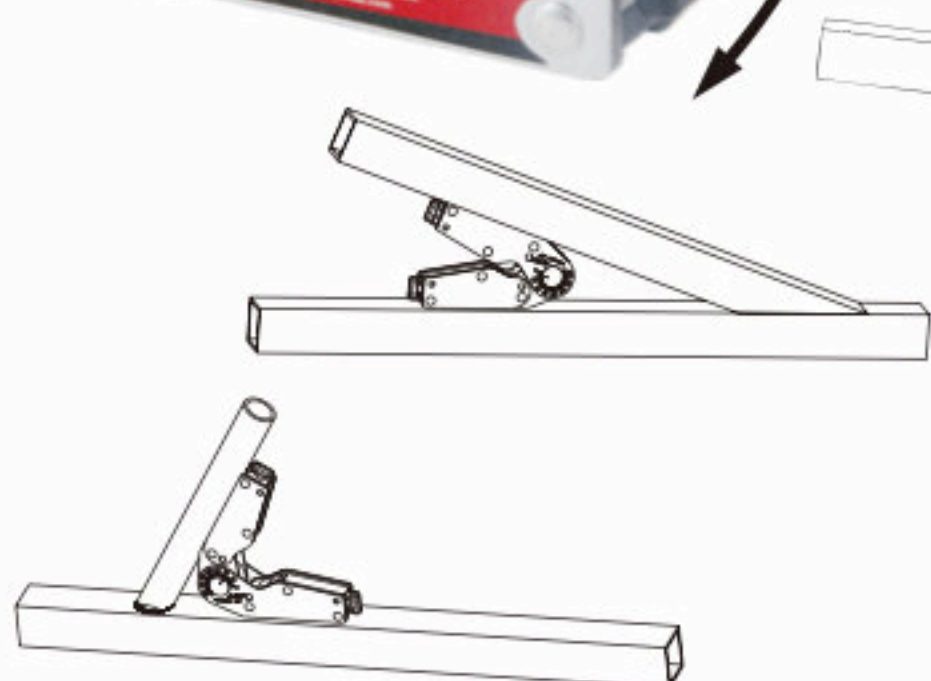
ADJUSTABLE ANGLES DUAL SWITCH WELDING MAGNET



Application: Ideal for ferrous metal holding for welding jobs in hardware processing and construction industry.

Features:

1. Two On/Off switches for independent operation, easy and safe to set up.
2. With clear degree scale, setting up angles at 15°-210° by holding from outside/inside
3. Lock at any angles with the hex wrench we supplied together with magnet.



Model	Dimension(mm)			Angles	(kg) Net Weight	(kg) Pull Off Force
	L	H	T			
WM11-S	144	87	24	15°-210°	0.7	30
WM11-M	168	104	31	15°-210°	1.2	50