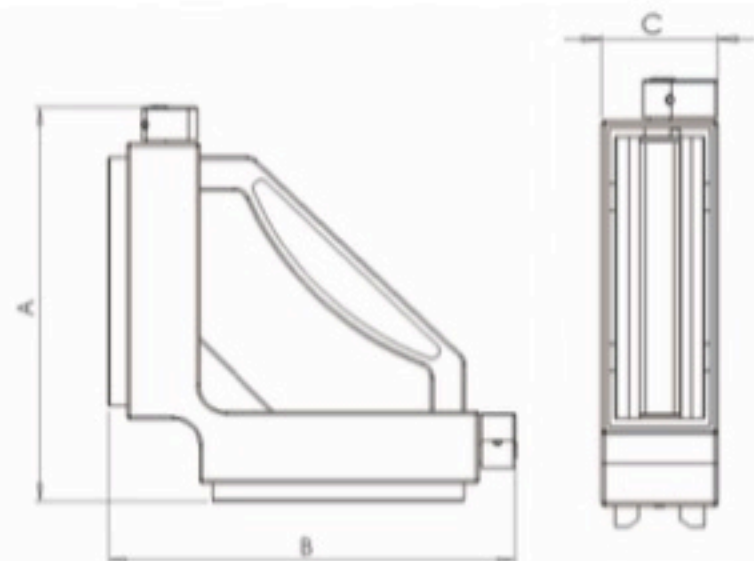
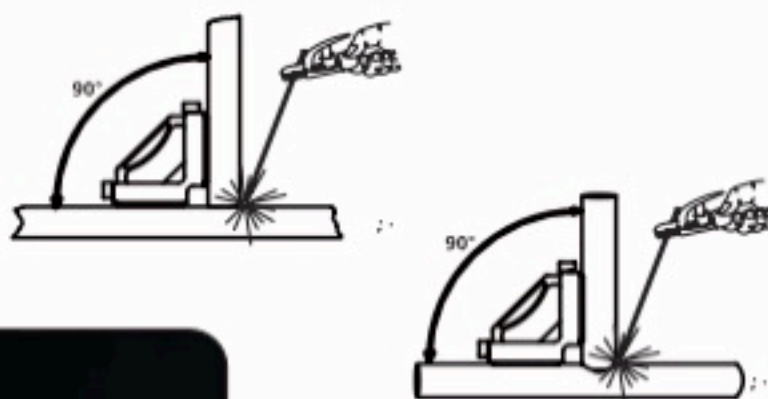


DUAL SWITCH WELDING MAGNET

WM2

Application: Suitable to welding fix the inside square corner of various magnetic material.

- Features:
1. Two ON/OFF switches for independent operation.
 2. Hold flat and round metal workpieces.
 3. Easy and safe set-up.



型号 Model	规格 (mm) Dimension AxBxC	角度 Angles	净重 (kg) Net Weight	拉脱力 (kg) Pull Off Force
WM2-90S	148×148×38	90°	1.1	50