

90° WELDING CLAMP

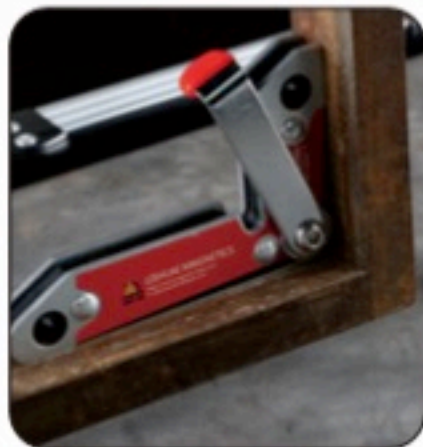
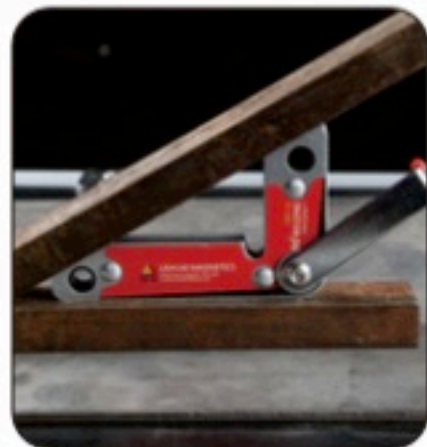
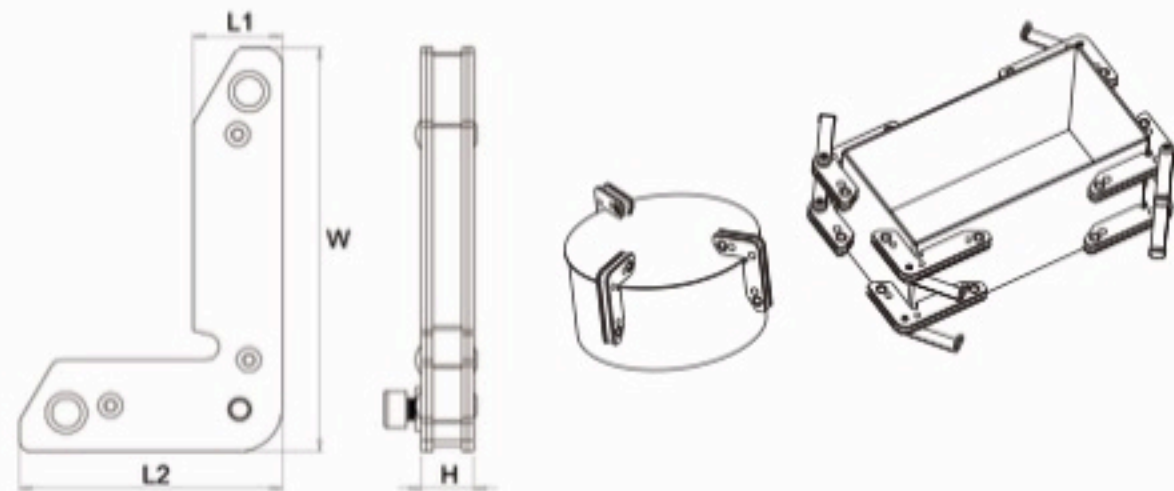
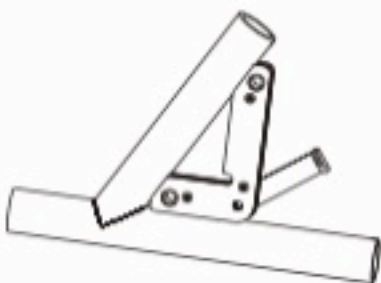
WM7 直角焊接固定器

Application: Ideal for ferrous metal holding for welding jobs in hardware processing and construction industry.

- Features:
1. Create 90° corners by holding from the outside providing you with an unobstructed area for inside tack welds.
 2. Use the different outer edges of the magnet to set up material at 30° and 60° as well as 90°
 3. With the new design of handle, much easier to take off magnet from the materials.

用途：适用于五金精加工及建筑工业的铁件焊接定位

特点：通过外部吸持工件，形成一个直角，可以很方便的在直角内部焊接，也可以用在内角30°或者60°固定工件。全新的手柄设计，更容易从材料上取出磁铁



型号 Model	规格 L1	Dimension (mm) L2	W	H	角度 Angles	净重 (kg) Net Weight	拉脱力 (kg) Pull Off Force
WM7-S	21	54	84	14	30°/60°/90°	0.24/对	30
WM7-M	24	70	110	14	30°/60°/90°	0.48/对	35