

FUNCTIONS

- ON/OFF
- Auto OFF after 2 hours

FEATURES

- Excellent readability thanks to combined display:
 - bar graph for dynamic path information
 - digital display for exact readings
- Can be controlled independently of a machine tool
- Large working range in all axes (X, Y, Z) prevents damage to the stylus by contacting errors
- Compact metal housing and long probe arm
- Shockproof movement
- **Energy supply:** Battery life approx. 3 years
- **Battery type:** CR 2032 (3V Lithium)
- **IP protection category:** IP 65
- **Package contains:** battery, instruction manual, stylus 802 EWt

Applications:

Can be used on milling and CNC machines to

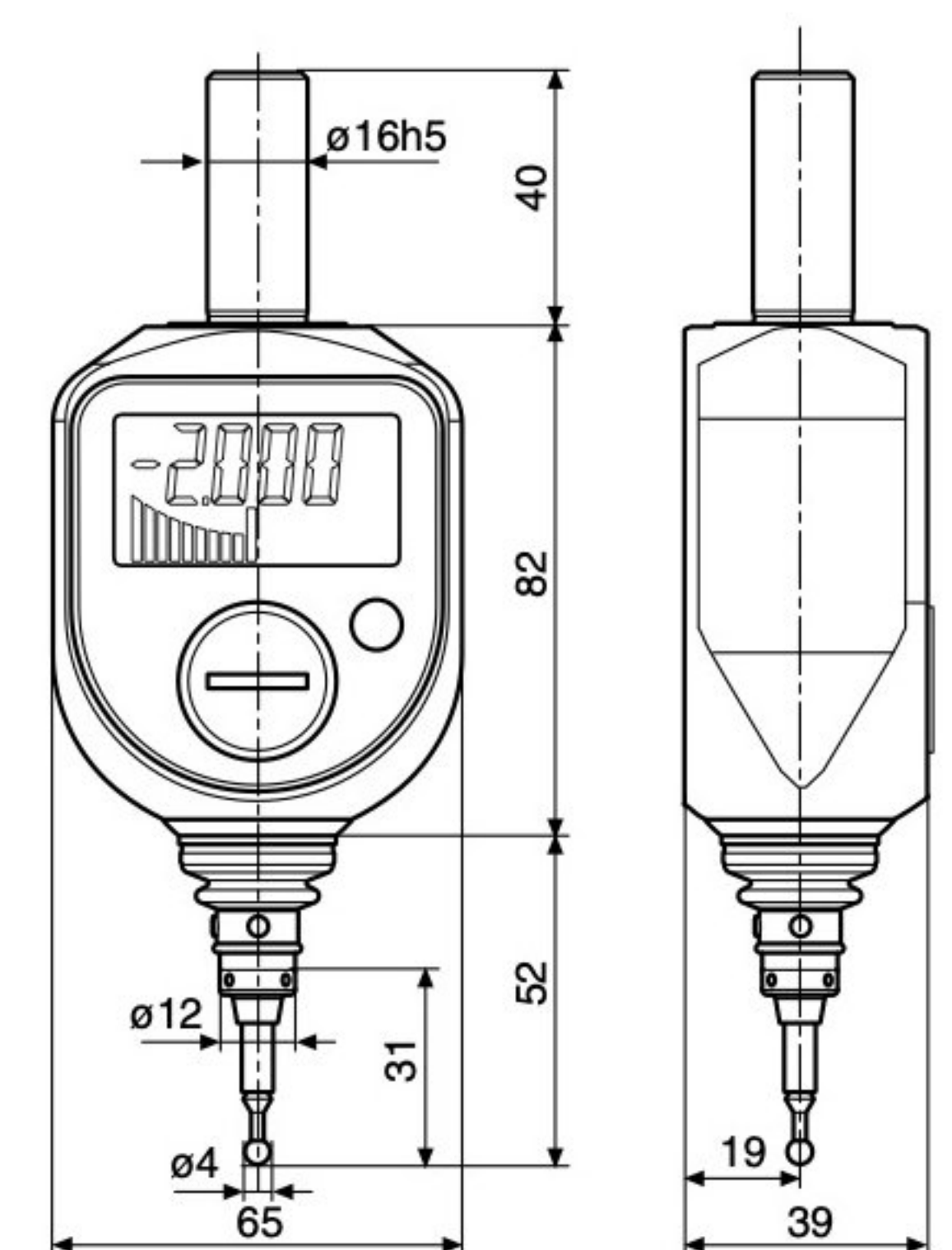
- Determine the zero position on workpieces
- Determine the center of bores
- Determine and correct the alignment of a workpiece and for the measurement of:
 - Lengths
 - Depths



TECHNICAL DATA

Order no.		4304300
Standard		Factory standard
Type		802 EW
Measuring surface		carbide
Working areas, X-, Y-, Z-axis		-2 to 4 mm
Repeatability at zero point, unidirectional	inch	± 0.005 mm

Order no.	Mounting shaft
	mm
4304300	16



ACCESSORIES

Order no.	Description	Type
4304320	Stylus $\varnothing 4.0$ mm, $l = 31$ mm	802 EWt
4102520	Battery 3 V, CR 2032	

