



PCE Americas Inc.
711 Commerce Way
Suite 8
Jupiter
FL-33458
USA
From outside US: +1
Tel: (561) 320-9162
Fax: (561) 320-9176
info@pce-americas.com

PCE Instruments UK Ltd.
Units 12/13
Southpoint Business Park
Ensign way
Hampshire / Southampton
United Kingdom, SO31 4RF
From outside UK: +44
Tel: (0) 2380 98703 0
Fax: (0) 2380 98703 9
info@pce-instruments.com

www.pce-instruments.com/english
www.pce-instruments.com

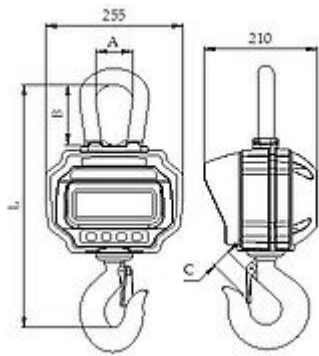
Technical Crane Scale PCE-CS 3000N

PCE-CS 3000N is a digital, battery-powered, heavy-duty Crane Scale that displays measurement values in kilograms (kg) or pounds (lbs). The scale comes factory calibrated and includes a hook, shackle and remote control. For an additional fee, the scale can be calibrated according to ISO standards.

- Displays measurement values in kilograms (kg) or pounds (lbs)
- Comes factory calibrated (see accessories for optional ISO calibration)
- Includes hook, shackle and remote control
- Features zero, tare, hold, sum, power-saving automatic shutdown and timed backlighting functions

Technical specifications

Maximum weighing capacity	3 t / 3000 kg / 6613 lbs
Resolution	0.5 kg / 1.1 lbs
Tare range	100 % full scale
Zero range	4 % full scale
Settling time	≥ 2 seconds
Units of weight	kg / lbs
Overload	100 % full scale + 9 verification scale interval
Limit load	150 %
Display	2.2 cm x 1.1 cm / 0.87 in x 0.43 in in HTN LCD with backlight
Power supply	3 x 1.5 V AAA batteries
Operating conditions	-10° C ... +40° C / +14° F ... +104° F ≤ 90 % RH
Weight (approx)	14.3 kg / 31.53 lbs
Dimensions	See diagram below



[zoom]

A: 68 mm / 2.67 in

B: 112 mm / 4.40 in

C: 33 mm / 1.29 in

L: 420 mm / 16.53 in

Delivery contents

- 1 x PCE-CS-3000N Crane Scale
- 1 x battery charger
- 1 x remote control with batteries
- 1 x user manual