

SQUARE SET

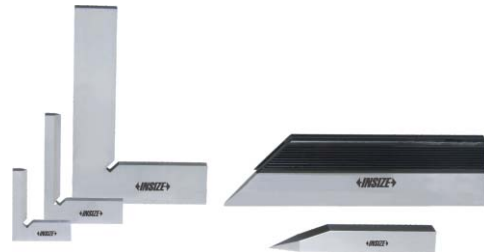
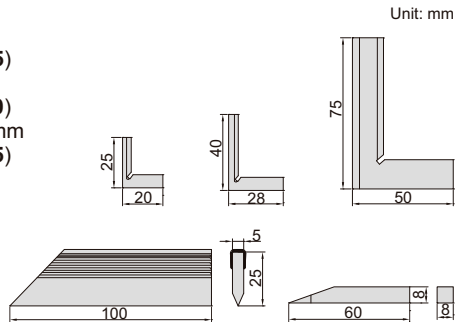
- Includes:

- 90° tool maker square 25x20mm
DIN875 grade 00 (code **4794-025**)
- 90° tool maker square 40x28mm
DIN875 grade 00 (code **4794-040**)
- 90° beveled edge square 75x50mm
DIN875 grade 00 (code **4790-075**)
- straight edge 100mm DIN874
(code **4700-100**)
- scriber

- Made of hardened stainless steel

Code

4702-1



4702-1