

CONCENTRICITY GAGES

HIGH STABILITY,
LONG WORKING LIFE

dial test indicator is optional



4725-45

dial test indicator is optional



4725-60

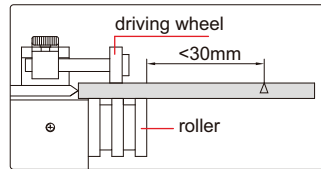
dial test indicator is optional



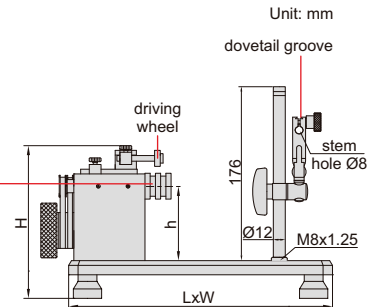
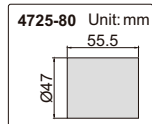
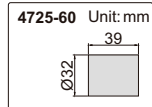
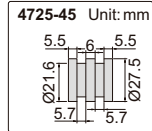
4725-80



to ensure the accuracy 2 μ m,
the distance between measuring
point and roller should be <30mm



roller



- With ball bearing, high stability, long working life
- Accuracy 2 μ m
- Optional accessory: dial test indicator

| Code | Diameter range | Center height (h) | LxWxH | Weight |
|---------|----------------|-------------------|---------------|--------|
| 4725-45 | 3-45mm | 80mm | 280x130x170mm | 6kg |
| 4725-60 | 8-60mm | 90mm | 350x160x190mm | 15.6kg |
| 4725-80 | 8-80mm | 130mm | 400x200x250mm | 25kg |