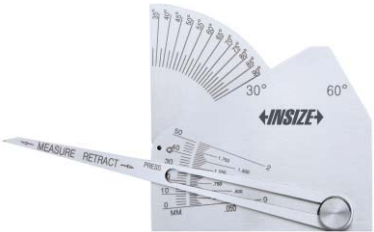
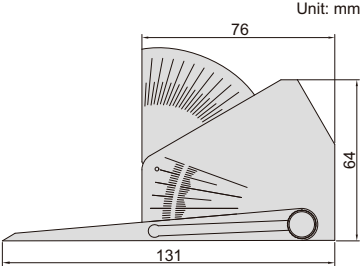
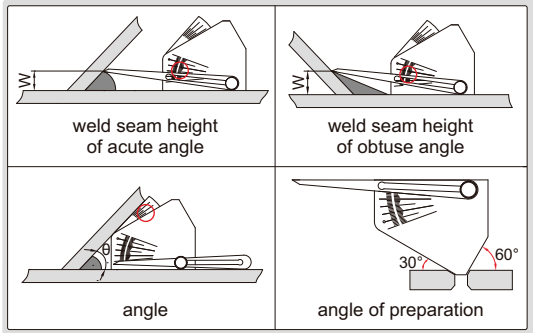


# FILLET WELDING GAGE



4846-1



- Calculating card is included
- Made of stainless steel

Code	Measurement	Range	Graduation	Accuracy
4846-1	weld seam height $W$	0-50mm/0-2"	2mm/0.05"	$\pm 1$ mm
	angle $\theta$	30°-90°	2.5°	$\pm 1^\circ$
	60° angle	—	—	$\pm 0.5^\circ$

calculating card (included)

