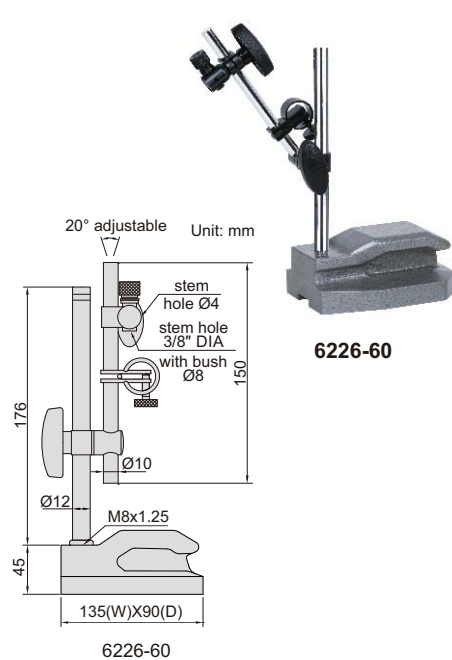
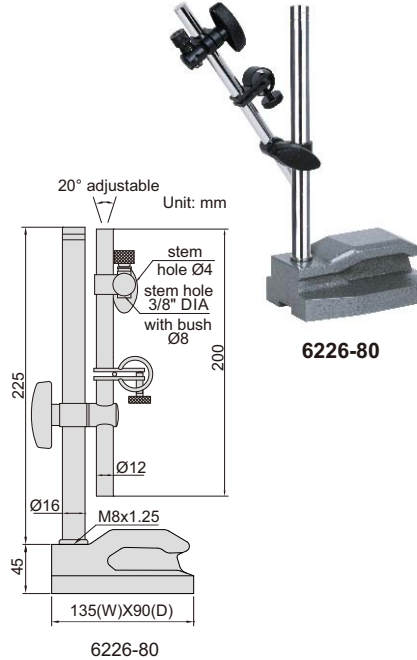


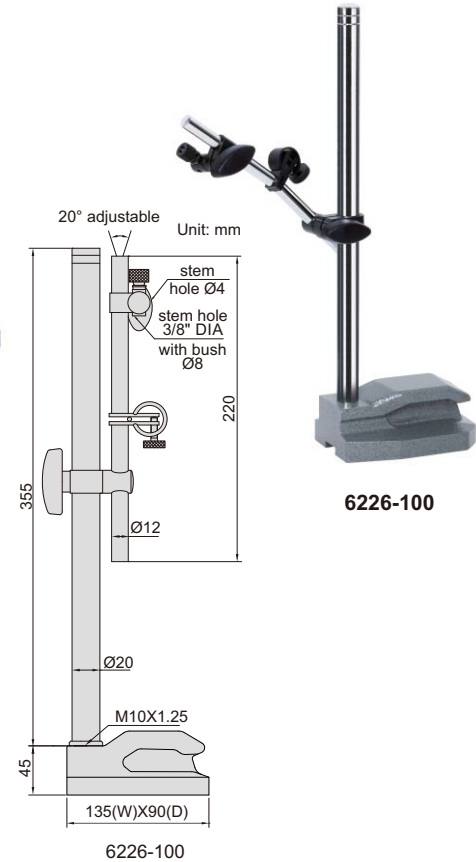
DIAL INDICATOR STANDS (NON-MAGNETIC)



6226-60



6226-80



6226-100

- Hardend base
- Suitable for granite surface plates or cast iron surface plates
- For digital/dial indicators and dial test indicators

Code	Applicable holding stem	Remark
6226-60	Ø8mm, Ø4mm, 3/8" DIA	with fine adjustment
6226-80	Ø8mm, Ø4mm, 3/8" DIA	with fine adjustment
6226-100	Ø8mm, Ø4mm, 3/8" DIA	with fine adjustment