

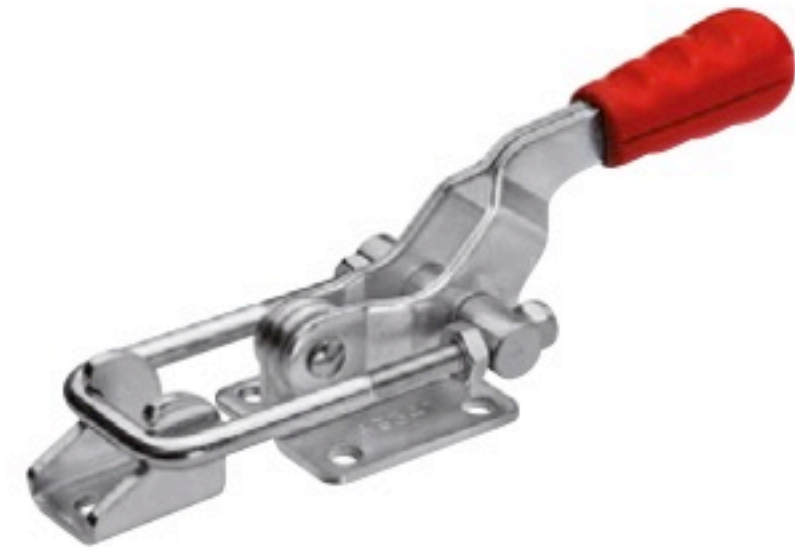
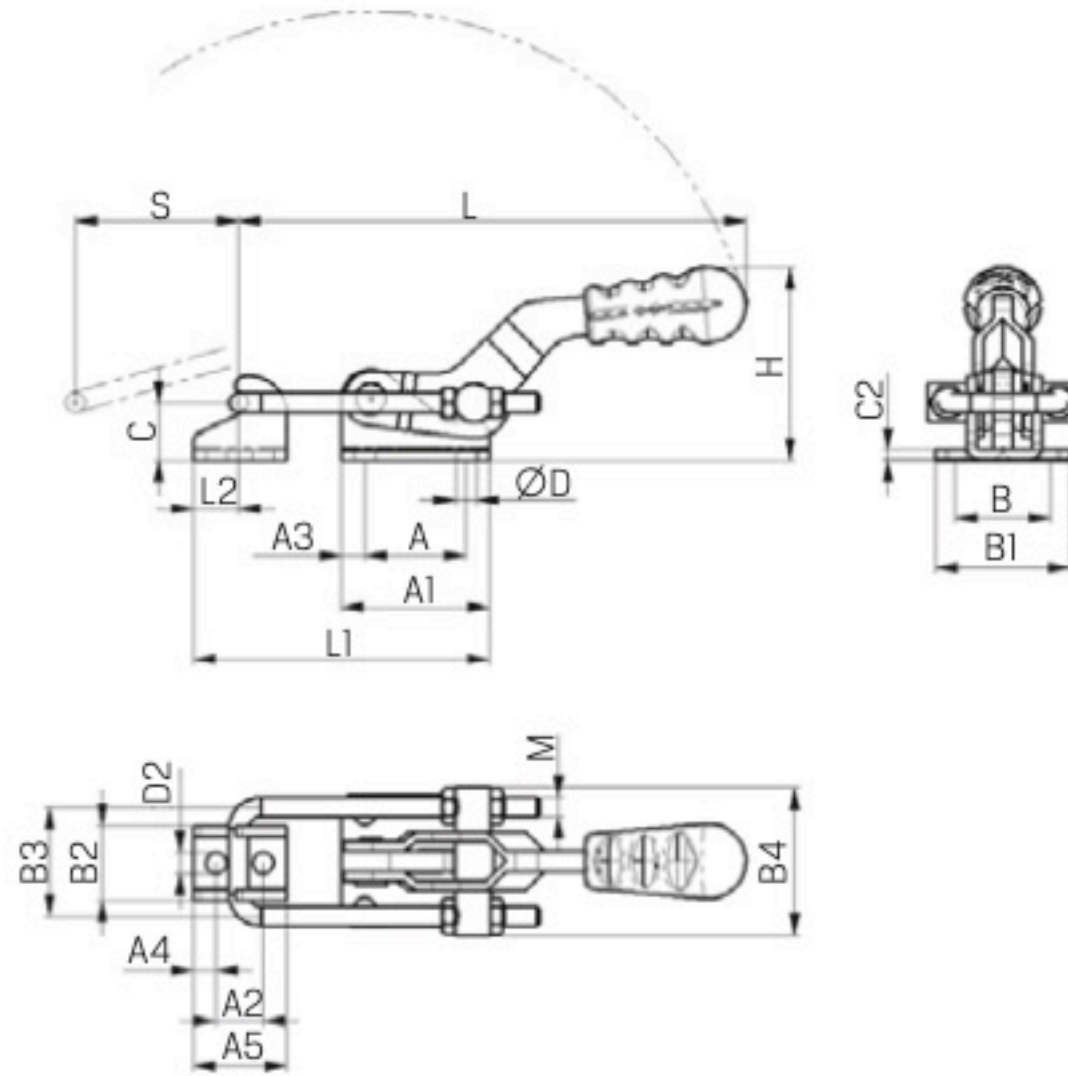
▶ Hook type toggle clamp

Design:

- with base mounting
- frame and clamping nuts complete mounted
- rivets made of stainless steel
- galvanised and passivated
- ergonomic, media resistant plastic handle

Delivery:

Incl. frame and fixed catch



Item no.	299772 horizontal	M mm	D mm	Adhesive power kN	Weight kg	A mm	A ₁ mm	A ₃ mm	A ₂ mm	A ₄ mm	A ₅ mm	B mm	B ₁ mm	B ₂ mm	B ₃ mm	B ₄ mm	C mm	C ₂ mm	D ₂ mm
2	●	M4	4.2	1,6	0,07	16	26	5	10	6	20	19	28.0	13	19	28.0	12	2	4.2
3	●	M5	6.7	3,2	0,25	19	39.5	6.5	11.5	5.5	25.3	32	44.5	20	25,5	42.0	14	3	6.7
4	●	M8	8.5	7	0,75	41.3	60.5	9.6	19	9.5	38	38	54.0	30	44,5	60.5	23.8	4	8.5