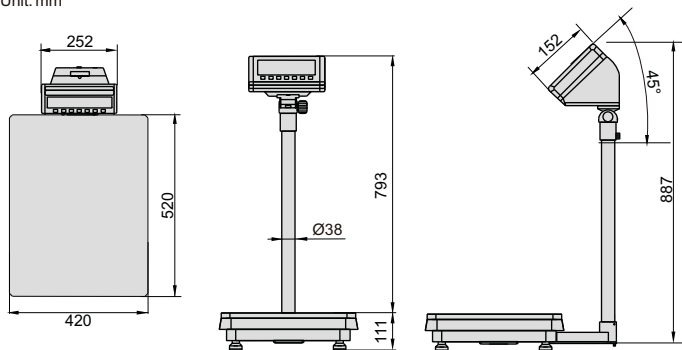


# PLATFORM SCALES

- LCD large screen display with LED backlight
- Weighing, overweight alarm, counting, keyboard lock, accumulating, auto zero, animal scale
- Units : kg, g, lb, oz

Unit: mm



DATA  
OUTPUT

8501-AL150

## SPECIFICATION

Code	8501-AL60	8501-AL150	8501-AL300
Maximum weighing	60kg	150kg	300kg
Minimum weighing	100g	200g	400g
Resolution (d)	5g	10g	20g
Accuracy	±10g	±20g	±30g
Operating temperature	-10~40°C		
Material	platform: stainless steel, base: die-cast aluminum		
Dimension of platform	420mm×520mm		
Power	rechargeable lead acid battery(6V/4Ah)		
Output	RS232		
Weight	18.3kg		



printer (optional)

## OPTIONAL ACCESSORY

Printer	8001-PRINTER
---------	--------------