

# ROUGHNESS TESTER (SEPARABLE TYPE) CODE ISR-C300

BLUETOOTH

TOUCH SCREEN

CAN BE OPERATED BY  
MOBILE PHONES OR COMPUTERS

DATA  
OUTPUT

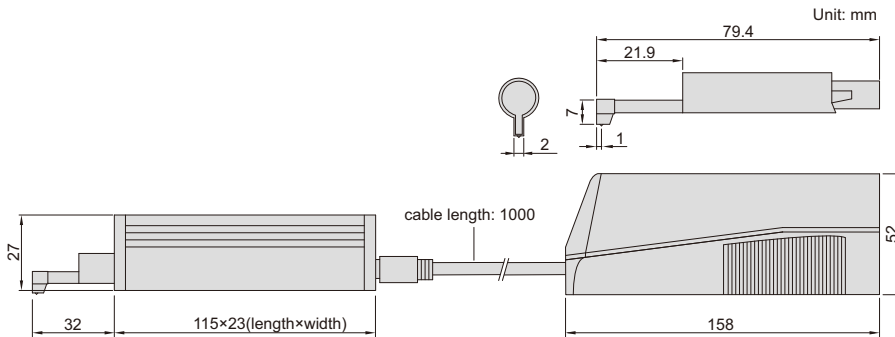


software CD  
(included)

probe and main unit can  
be combined together

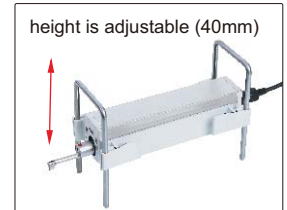


- Roughness tester can be operated by mobile phones (only Android system) or computers
- Data can be sent to Excel by connecting to computers via bluetooth or SPC cable
- Support bluetooth printer
- 22 roughness parameters
- Meet ISO, DIN, ANSI, JIS standards
- Display roughness values, profile and curve
- Memory of maximum 100 data and waveform
- Built-in lithium battery, working time more than 50 hours
- Touch screen
- Automatic power off

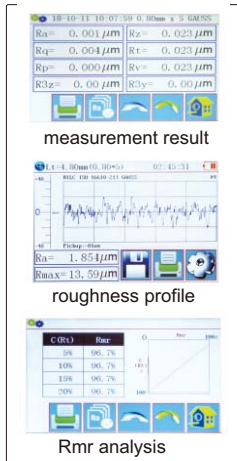


adjustable stand (included)

height is adjustable (40mm)



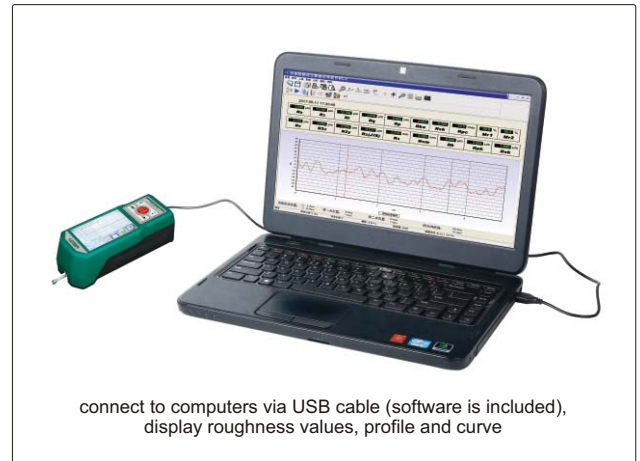
roughness tester screen display



operate roughness tester by mobile phones

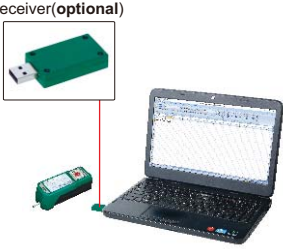





operate roughness tester by computers




data can be sent to Excel by connecting to computer via bluetooth or SPC cable

bluetooth printer (optional)


<p><b>via bluetooth</b></p> <p>receiver(optional)</p> 	<p><b>via SPC cable</b></p> <p>SPC cable (optional)</p>  <p>receiver (optional)</p>  
---	---



magnetic stand adapter (included)



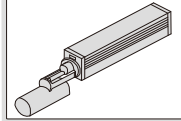
Ø8mm




can be installed on magnetic stands

probe support (optional)


support for cylindrical surface

height gage adapter (optional)


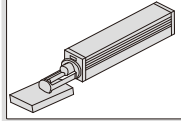


9×9mm



can be installed on height gages

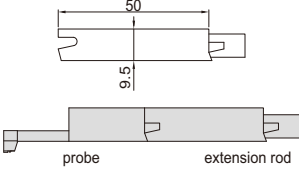
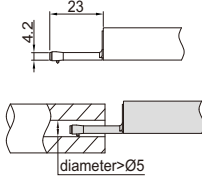
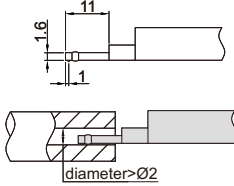
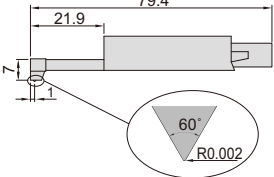
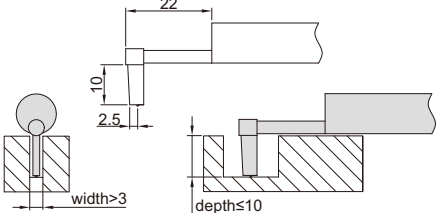
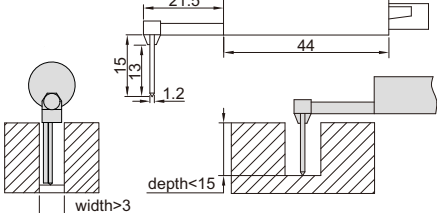
support for flat surface

**NOTE:** Please check whether the adapter can fit your height gages. When using **INSIZE** height gages, please use the dial test indicator holder of height gages

optional probes

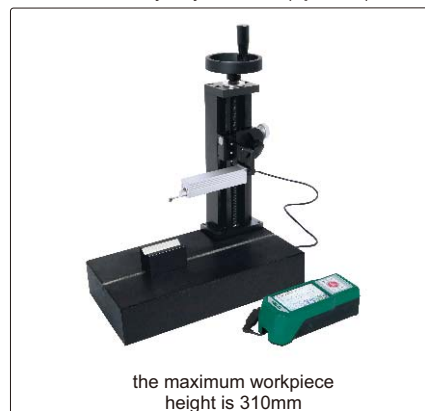
Unit: mm

<p>extension rod (optional), code <b>ISR-C002-ER</b></p>  <p>probe      extension rod</p>	<p>small hole probe (optional), code <b>ISR-C002-PROBE</b></p>  <p>diameter &gt; Ø5</p>	<p>tiny hole probe (optional), code <b>ISR-C002-SBP</b></p>  <p>diameter &gt; Ø2</p>	<p>2µm/60° probe (optional), code <b>ISR-C300-P2UM</b> (When Ra &lt; 0.5µm, the accuracy with this probe is better)</p> 
<p>deep groove probe (optional), code <b>ISR-C002-DGP</b></p>  <p>width &gt; 3      depth ≤ 10</p>		<p>deep groove probe (optional), code <b>ISR-C002-DGP1</b></p>  <p>width &gt; 3      depth &lt; 15</p>	

light duty test stand (optional)

the maximum workpiece  
height is 220mm

heavy duty test stand (optional)

the maximum workpiece  
height is 310mm

## SPECIFICATION

<b>Parameters</b>		Ra, Rz, Rq, Rv, Rp, Rs, R3z, R3y, Rt, Rc, Rz (JIS), Rk, Rku, Rsm, Rpc, Rpk, Rvk, Rsk, Mr1, Mr2, Ry, Rmax
<b>Range</b>	<b>X axis</b>	17.5mm
	<b>Z axis</b>	320 $\mu$ m (-160 $\mu$ m~160 $\mu$ m)
<b>Accuracy</b>		$\pm$ 10%
<b>Resolution (Ra)</b>		0.001 $\mu$ m
<b>Probe</b>	<b>type</b>	inductive
	<b>stylus radius/angle</b>	5 $\mu$ m/90°
	<b>stylus material</b>	diamond
<b>Measuring force</b>		4mN
<b>Measuring unit</b>		$\mu$ m/ $\mu$ in
<b>Cut off</b>		0.25/0.8/2.5mm
<b>Number of cut-offs</b>		1~5
<b>Traverse speed</b>		0.135mm/s, 0.5mm/s, 1mm/s
<b>Memory</b>		100 measurement results
<b>Output</b>		bluetooth and USB
<b>Power</b>		built-in rechargeable battery
<b>Dimension (L×W×H)</b>		158×64×52mm
<b>Weight</b>		400g

## OPTIONAL ACCESSORY

Extension rod	ISR-C002-ER
Small hole probe	ISR-C002-PROBE
Tiny hole probe	ISR-C002-SBP
Deep groove probe	ISR-C002-DGP
Deep groove probe	ISR-C002-DGP1*
2 $\mu$ m/60° probe	ISR-C300-P2UM
Bluetooth printer	ISR-C002-PRINTER
Height gage adapter	ISR-C300-LB1
Receiver	ISR-C300-RECEIVER
SPC cable	ISR-C300-SPC
Support for flat surface	ISR-C300-COVER1
Support for cylindrical surface	ISR-C300-COVER2
Light duty test stand	ISR-C002-STAND1
Heavy duty test stand	ISR-C002-STAND

## STANDARD DELIVERY

Main unit	1 pc
Standard probe	1 pc
Calibration block and support	1 pc of each
Connecting cable (long and short)	1 pc of each
Magnetic stand adapter	1 pc
Adjustable stand	1 pc
Touch pen	1 pc
Software and USB cable	1 pc
AC/DC adapter	1 pc

\*Need to be delivered with roughness tester **ISR-C300**