



# User Manual

PCE-IR 90 Infrared Thermometer



User manuals in various languages (français, italiano, español, português, nederlands, türk, polski, русский, 中文) can be found by using our product search on: [www.pce-instruments.com](http://www.pce-instruments.com)

Last change: 28 February 2022  
v1.0



## Contents

<b>1</b>	<b>Safety notes</b> .....	<b>1</b>
<b>2</b>	<b>Specifications</b> .....	<b>2</b>
<b>3</b>	<b>Delivery scope</b> .....	<b>2</b>
<b>4</b>	<b>Device description</b> .....	<b>3</b>
<b>5</b>	<b>Switching the meter on and off</b> .....	<b>5</b>
<b>6</b>	<b>Making a measurement</b> .....	<b>5</b>
<b>7</b>	<b>Changing the sensor</b> .....	<b>5</b>
<b>8</b>	<b>Changing the unit</b> .....	<b>5</b>
<b>9</b>	<b>Bluetooth</b> .....	<b>5</b>
<b>10</b>	<b>Timer function</b> .....	<b>6</b>
10.1	Stopwatch .....	6
<b>11</b>	<b>Recharging the meter</b> .....	<b>6</b>
<b>12</b>	<b>Contact</b> .....	<b>7</b>
<b>13</b>	<b>Disposal</b> .....	<b>7</b>

## 1 Safety notes

Please read this manual carefully and completely before you use the device for the first time. The device may only be used by qualified personnel and repaired by PCE Instruments personnel. Damage or injuries caused by non-observance of the manual are excluded from our liability and not covered by our warranty.

- The device must only be used as described in this instruction manual. If used otherwise, this can cause dangerous situations for the user and damage to the meter.
- The instrument may only be used if the environmental conditions (temperature, relative humidity, ...) are within the ranges stated in the technical specifications. Do not expose the device to extreme temperatures, direct sunlight, extreme humidity or moisture.
- Do not expose the device to shocks or strong vibrations.
- The case should only be opened by qualified PCE Instruments personnel.
- Never use the instrument when your hands are wet.
- You must not make any technical changes to the device.
- The appliance should only be cleaned with a damp cloth. Use only pH-neutral cleaner, no abrasives or solvents.
- The device must only be used with accessories from PCE Instruments or equivalent.
- Before each use, inspect the case for visible damage. If any damage is visible, do not use the device.
- Do not use the instrument in explosive atmospheres.
- The measurement range as stated in the specifications must not be exceeded under any circumstances.
- Non-observance of the safety notes can cause damage to the device and injuries to the user.

We do not assume liability for printing errors or any other mistakes in this manual.

We expressly point to our general guarantee terms which can be found in our general terms of business.

If you have any questions please contact PCE Instruments. The contact details can be found at the end of this manual.



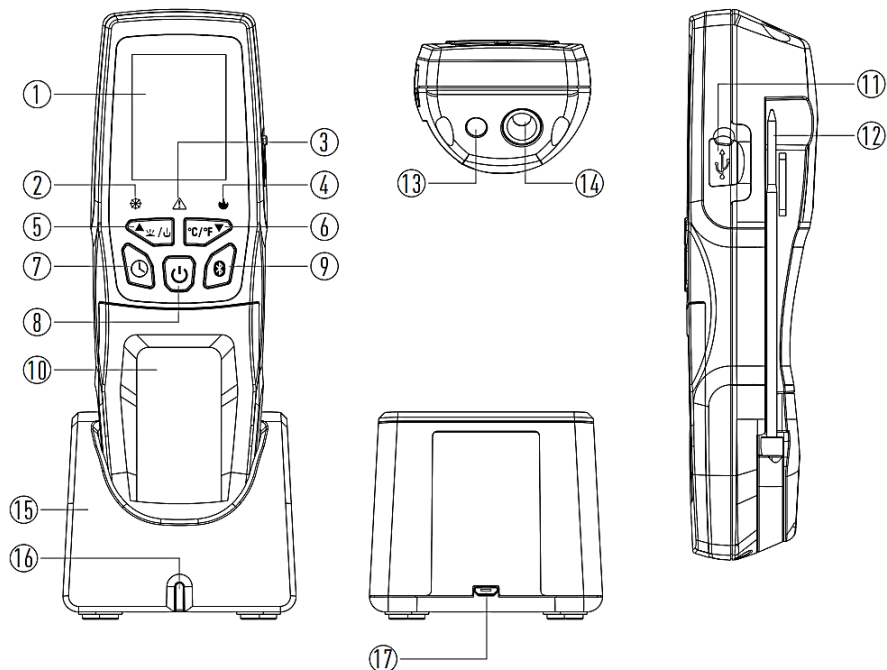
## 2 Specifications

<b>Infrared measurement</b>	
Measurement range	-40 ... 300 °C, -40 ... 572 °F
Resolution	0.1 °C/°F
Accuracy	±1 °C, ±1.8 °F at 0 ... 65 °C/32 ... 150 °F ±2.5 °C, ±4.5 °F at <0 °C/<32 °F ±1.5 % at >65 °C/150 °F
Spot ratio	2:1
Response time	<500 ms
<b>Penetration probe</b>	
Sensor type	resistance temperature sensor
Probe length	100 mm
Measurement range	-40 ... 300°C, -40 ... 200°C, -40 ... 392°F
Resolution	0.1 °C/°F
Accuracy	±1 °C, ±1.8 °F at -40 ... 200 °C/-40 ... 392 °F ±1.5 °C, ±4.5 °F at >200 °C/>392 °F
<b>Further specifications</b>	
Emissivity	0.95 fixed
Interface	Bluetooth (data transfer) mirco USB (for charging)
Additional functions	timer and stopwatch
Power supply	4.2 V 1300mAh battery 5 V DC / 1A fixed voltage supply via mirco USB interface
Operating conditions	0 ... 50 °C, <85% RH, non-condensing
Dimensions	176 x 55 x 40 mm / 6.9 x 2.2 x 1.6 in
Weight	185 g / <1 lb

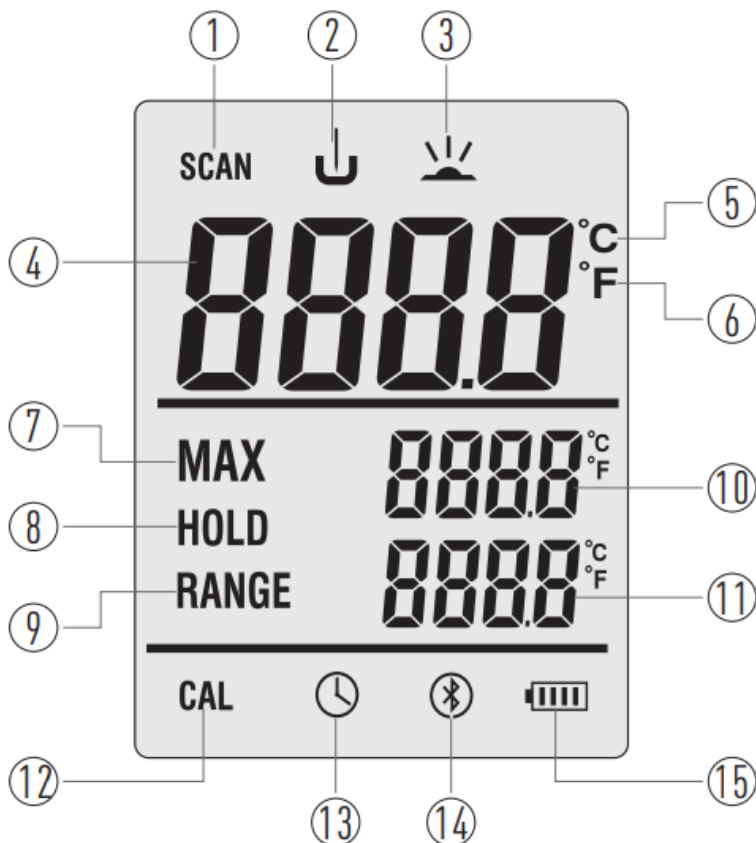
## 3 Delivery scope

- 1 x infrared thermometer PCE-IR 90
- 1 x mirco USB charging cable
- 1 x charging station
- 1 x transport bag
- 1 x user manual

## 4 Device description



No.	Description
1	Display
2	LED display. Temperature <4 °C
3	LED display. Temperature between 4 ... 65 °C
4	LED display. Temperature >65 °C
5	Up key to change parameters, change measuring mode
6	Down key to change parameters, unit key
7	Timer key
8	On/off key, start and stop measurement
9	Bluetooth on/off switch
10	Battery compartment cover
11	USB charging interface
12	Temperature probe
13	Laser
14	Infrared sensor
15	Battery charging station
16	Charging lamp
17	USB charging interface



No.	Description
1	Infrared temperature measurement active
2	Temperature measurement is carried out via the temperature probe
3	Temperature measurement is carried out via the infrared sensor
4	Measured value
5	Measured value is displayed in °C
6	Measured value is displayed in °F
7	The maximum measured value is displayed
8	Measurement has been stopped. Displayed measured value is frozen.
9	The smallest value of the current measurement is displayed
10	Display of the largest measured value
11	Display of the smallest measured value
12	Calibration mode
13	Timer started
14	Bluetooth active
15	Battery indicator

## 5 Switching the meter on and off

To switch the meter on and off, press and hold the on/off key for at least 2 seconds. If the meter is not operated for 5 minutes, it switches itself off. This function cannot be deactivated.

## 6 Making a measurement

Press and release the on/off key once to start the measurement. The display shows "SCAN" when the measurement is being made. When the reading is stable for 5 seconds, the measurement ends automatically. The measurement can be ended manually by pressing the on/off key.

## 7 Changing the sensor

To select between the sensors, press and release the up key once. The display shows which sensor is currently being used.

## 8 Changing the unit

Press and release the down key once to select °C or °F.

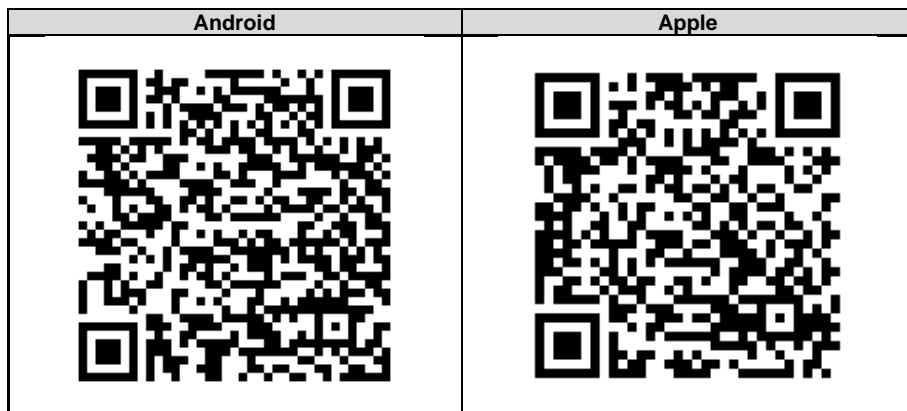
## 9 Bluetooth

Press the Bluetooth key to activate the Bluetooth function. To deactivate it again, press and hold the key again for at least 3 seconds. As soon as the Bluetooth icon is active, the function is activated.

To establish a connection to a mobile end device, first download the "MeterBox Pro" app from the App Store. Then establish a connection via the app. After connecting, use the "Food Thermometer" category in the app.

### Note:

Do not connect the meter via the Bluetooth settings of the mobile end device.





## **10 Timer function**

A timer can be started with the timer function. To do this, press and hold the timer key for at least 3 seconds. To set a time, press the up and down keys. The time can only be set in minutes. Pressing the timer key starts the countdown. When the countdown is over, an audible alarm is triggered. Press and release the on/off key once to enter measurement mode and make measurements with the timer activated. The timer icon shows when the timer or stopwatch is active.

### **10.1 Stopwatch**

To start the stopwatch, first press and hold the timer key to enter timer mode. Then press the timer key again to start the stopwatch. Press the timer key again to stop the timer. Press and hold the timer key for two seconds to reset the stopwatch.

Press and release the on/off key once to enter measurement mode and make measurements with the stopwatch activated. The timer icon shows when the timer or stopwatch is active.

## **11 Recharging the meter**

To charge the meter, it can either be connected directly to a micro USB cable or placed in the charging station. The battery status indicator shows whether the battery is being charged.



## 12 Contact

If you have any questions, suggestions or technical problems, please do not hesitate to contact us. You will find the relevant contact information at the end of this user manual.

## 13 Disposal

For the disposal of batteries in the EU, the 2006/66/EC directive of the European Parliament applies. Due to the contained pollutants, batteries must not be disposed of as household waste. They must be given to collection points designed for that purpose.

In order to comply with the EU directive 2012/19/EU we take our devices back. We either reuse them or give them to a recycling company which disposes of the devices in line with law.

For countries outside the EU, batteries and devices should be disposed of in accordance with your local waste regulations.

If you have any questions, please contact PCE Instruments.





## PCE Instruments contact information

### Germany

PCE Deutschland GmbH  
Im Langel 26  
D-59872 Meschede  
Deutschland  
Tel.: +49 (0) 2903 976 99 0  
Fax: +49 (0) 2903 976 99 29  
info@pce-instruments.com  
www.pce-instruments.com/deutsch

### United Kingdom

PCE Instruments UK Ltd  
Unit 11 Southpoint Business Park  
Ensign Way, Southampton  
Hampshire  
United Kingdom, SO31 4RF  
Tel: +44 (0) 2380 98703 0  
Fax: +44 (0) 2380 98703 9  
info@pce-instruments.co.uk  
www.pce-instruments.com/english

### The Netherlands

PCE Brookhuis B.V.  
Institutenweg 15  
7521 PH Enschede  
Nederland  
Telefoon: +31 (0)53 737 01 92  
info@pcebenelux.nl  
www.pce-instruments.com/dutch

### France

PCE Instruments France EURL  
23, rue de Strasbourg  
67250 Soultz-Sous-Forets  
France  
Téléphone: +33 (0) 972 3537 17  
Numéro de fax: +33 (0) 972 3537 18  
info@pce-france.fr  
www.pce-instruments.com/french

### Italy

PCE Italia s.r.l.  
Via Pesciatina 878 / B-Interno 6  
55010 Loc. Gragnano  
Capannori (Lucca)  
Italia  
Telefono: +39 0583 975 114  
Fax: +39 0583 974 824  
info@pce-italia.it  
www.pce-instruments.com/italiano

### United States of America

PCE Americas Inc.  
1201 Jupiter Park Drive, Suite 8  
Jupiter / Palm Beach  
33458 FL  
USA  
Tel: +1 (561) 320-9162  
Fax: +1 (561) 320-9176  
info@pce-americas.com  
www.pce-instruments.com/us

### Spain

PCE Ibérica S.L.  
Calle Mayor, 53  
02500 Tobarra (Albacete)  
España  
Tel. : +34 967 543 548  
Fax: +34 967 543 542  
info@pce-iberica.es  
www.pce-instruments.com/espanol

### Turkey

PCE Teknik Cihazları Ltd.Şti.  
Halkalı Merkez Mah.  
Pehlivan Sok. No.6/C  
34303 Küçükçekmece - İstanbul  
Türkiye  
Tel: 0212 471 11 47  
Faks: 0212 705 53 93  
info@pce-cihazlari.com.tr  
www.pce-instruments.com/turkish